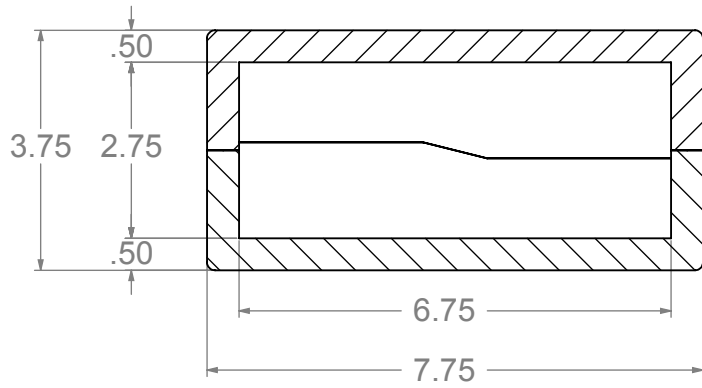
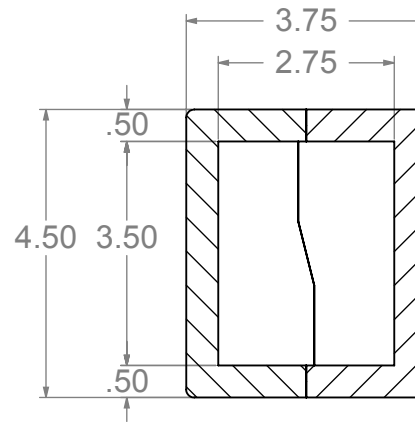
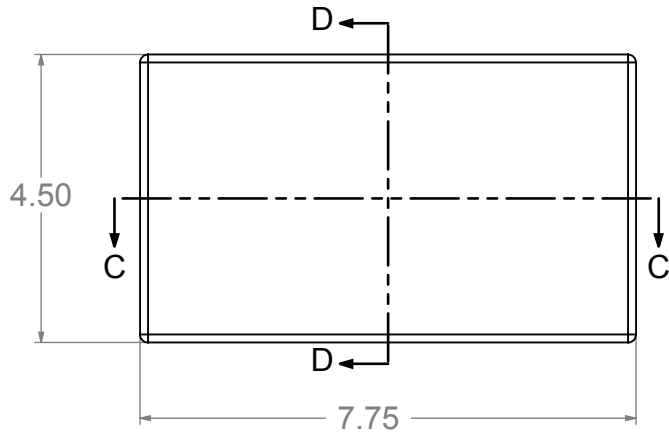
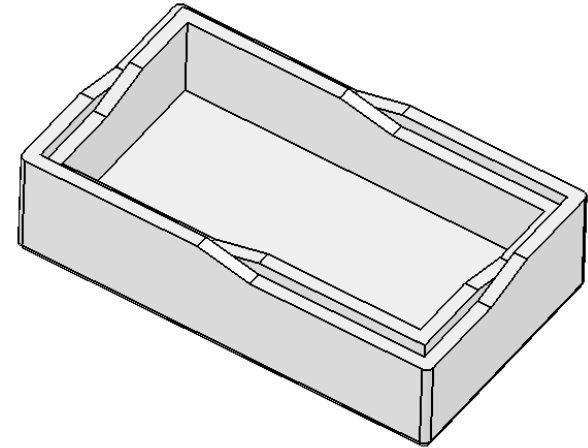


		REVISIONS			
ZONE	REV.	DESCRIPTION	DATE	APPROVED	





SECTION C-C



SECTION D-D

STANDARD EPS TOLERANCES  
FOR DENSITY 1.12 TO 3.0 PCF

DIM. INCH(MM)	TOL. INC(MM)
0.0 - 6.0(152)	+/- .039 (1)
6.0(152) - 12.0 (305)	+/- .06 (1.5)
12.0(305) - 24.0(610)	+/- .098 (2.5)
24.0(610) - 48.0(1220)	+/- .12 (3)
48.0(1220) - GREATER	+/- .20 (5)

<b>PROPRIETARY AND CONFIDENTIAL</b>		NAME	DATE	 		
THE INFORMATION CONTAINED IN THIS DRAWING IS THE SOLE PROPERTY OF marko foam production ANY REPRODUCTION IN PART OR AS A WHOLE WITHOUT THE WRITTEN PERMISSION OF marko foam production IS PROHIBITED.		DRAWN				
MATERIAL <b>EPS 1.25 PCF</b>		CHECKED				
FINISH		ENG APPR. Ilir Bordoniqi	08/09/10			
DO NOT SCALE DRAWING		MFG APPR.				
		Q.A.		<b>IC - 65</b>		
		COMMENTS: <b>V - 33</b>			SIZE DWG. NO. <b>A CM 1155 - K57 - 4/2</b>	
					REV.	
				SCALE:1:3	WEIGHT:	SHEET 1 OF 1