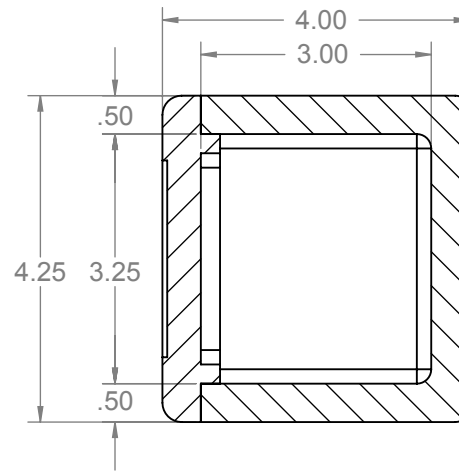
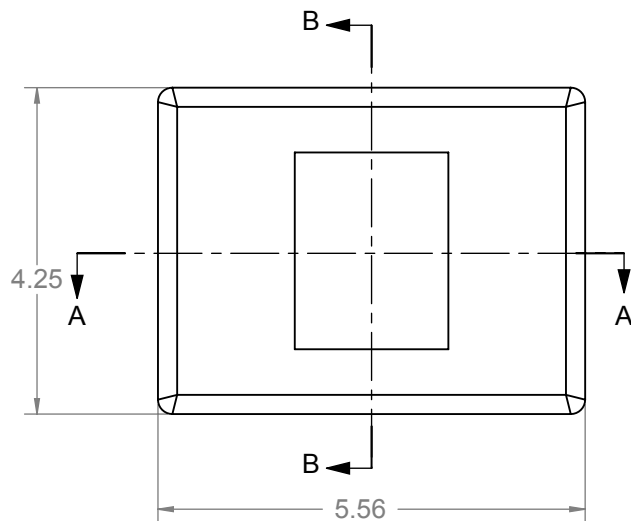
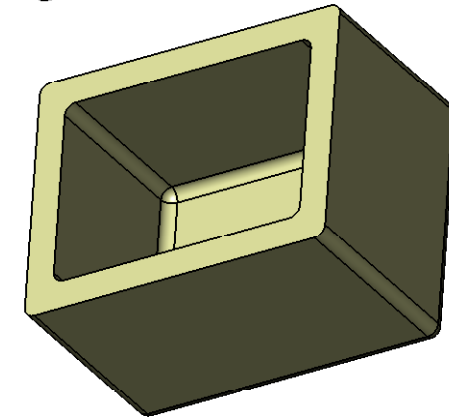
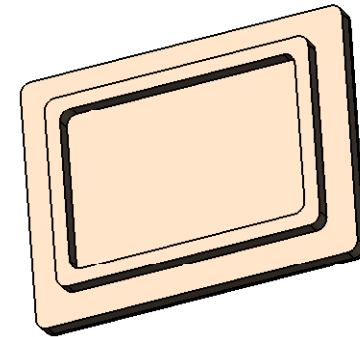




SECTION A-A



SECTION B-B

STANDARD EPS TOLERANCES  
FOR DENSITY 1.12 TO 3.0 PCF

DIM. INCH(MM)	TOL. INC(MM)
0.0 - 6.0(152)	+/- .039 (1)
6.0(152) - 12.0 (305)	+/- .06 (1.5)
12.0(305) - 24.0(610)	+/- .098 (2.5)
24.0(610) - 48.0(1220)	+/- .12 (3)
48.0(1220) - GREATER	+/- .20 (5)

<b>PROPRIETARY AND CONFIDENTIAL</b> THE INFORMATION CONTAINED IN THIS DRAWING IS THE SOLE PROPERTY OF marko foam production ANY REPRODUCTION IN PART OR AS A WHOLE WITHOUT THE WRITTEN PERMISSION OF marko foam production IS PROHIBITED.	NAME	DATE	 <b>marko</b> foam products inc	 <b>marko</b> products
	DRAWN			
	CHECKED			
	ENG APPR. Ilir Bordoniqi	04/12/10		
	MFG APPR.			
Q.A.			<b>IC - 44</b>	
COMMENTS:				
<b>V<sub>B</sub> - 38.21</b> <b>V<sub>L</sub> - 12.14</b>				
MATERIAL EPS - 1.25 PCF	SCALE:1:2.5		SIZE DWG. NO. <b>A</b> CM 11502 - K710 - 14/7	REV.
FINISH	WEIGHT:		SHEET 1 OF 1	
DO NOT SCALE DRAWING				