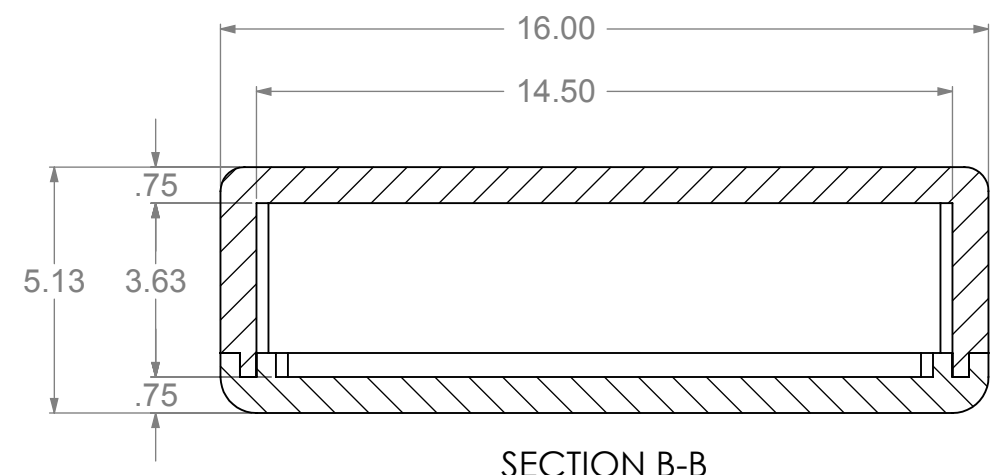


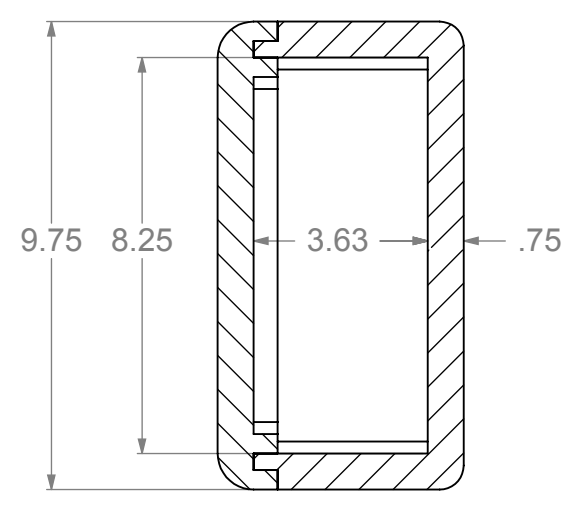
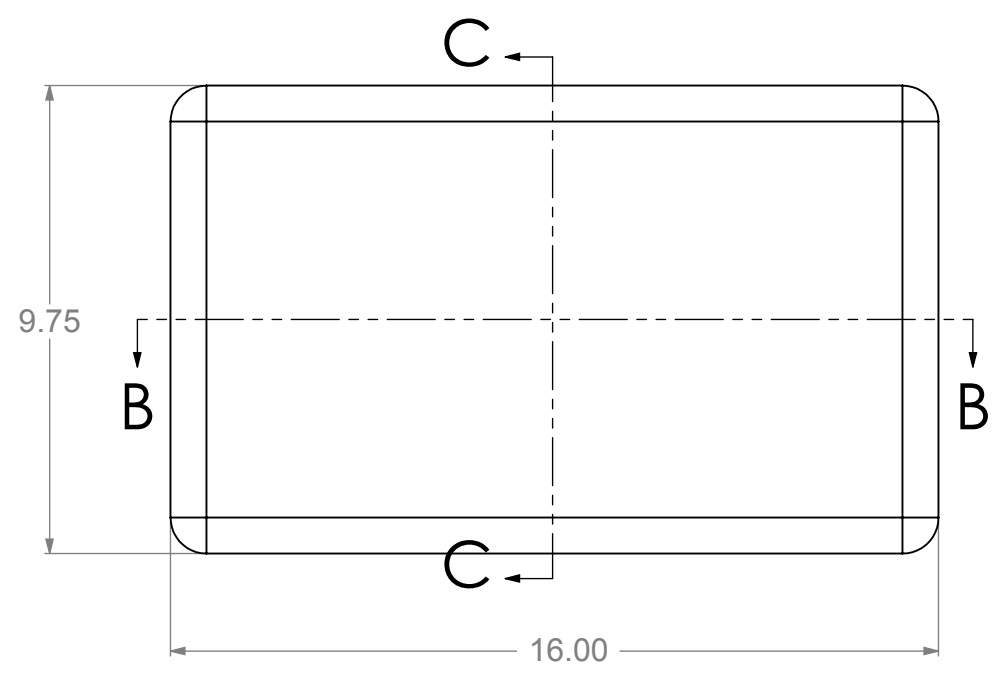
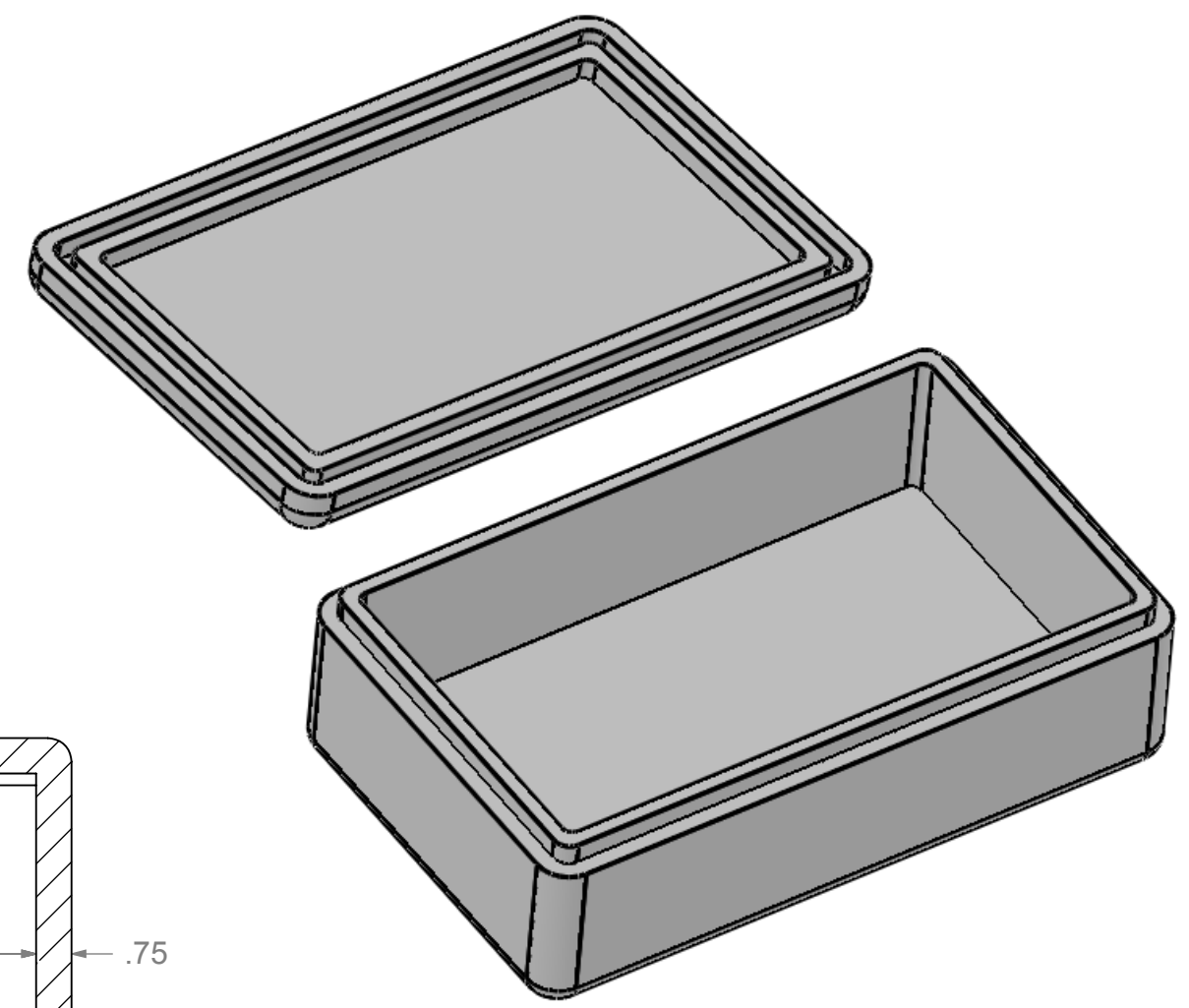
8 7 6 5 4 3 2 1

D
C
B
A

D
C
B
A



SECTION B-B



SECTION C-C

STANDARD EPS TOLERANCES FOR DENSITY 1.12 TO 3.0 PCF

| DIM. INCH(MM) | TOL. INC(MM) |
|------------------------|----------------|
| 0.0 - 6.0(152) | +/- .039 (1) |
| 6.0(152) - 12.0 (305) | +/- .06 (1.5) |
| 12.0(305) - 24.0(610) | +/- .098 (2.5) |
| 24.0(610) - 48.0(1220) | +/- .12 (3) |
| 48.0(1220) - GREATER | +/- .20 (5) |

| | | | |
|--|--|----------------|----------|
| PROPRIETARY AND CONFIDENTIAL THE INFORMATION CONTAINED IN THIS DRAWING IS THE SOLE PROPERTY OF marko foam production . ANY REPRODUCTION IN PART OR AS A WHOLE WITHOUT THE WRITTEN PERMISSION OF marko foam production IS PROHIBITED. MATERIAL: EPS 1.25 PCF FINISH: DO NOT SCALE DRAWING | DRAWN | NAME | DATE |
| | CHECKED | | |
| | ENG APPR. | Ilir Bordoniqi | 05/20/10 |
| | MFG APPR. | | |
| | Q.A. | | |
| COMMENTS: | V _B - 235 V _L - 130 | | |

marko
foam products inc



IC - 433

| | |
|-------------------------------|---------|
| SIZE DWG. NO. | REV. |
| A CM1539 - K1014 - 8/4 | |
| SCALE: 1:4 | WEIGHT: |
| SHEET 1 OF 1 | |

8 7 6 5 4 3 2 1