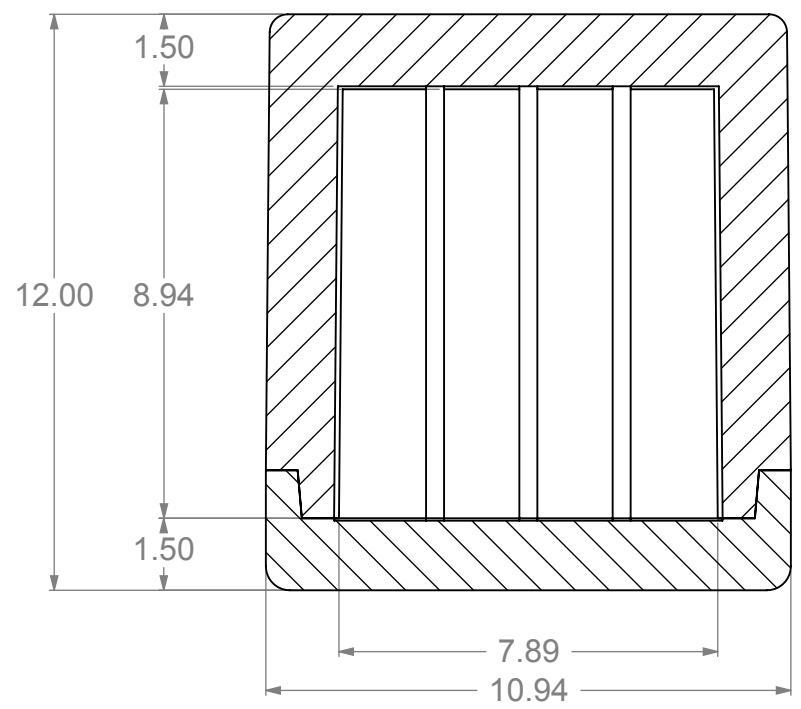
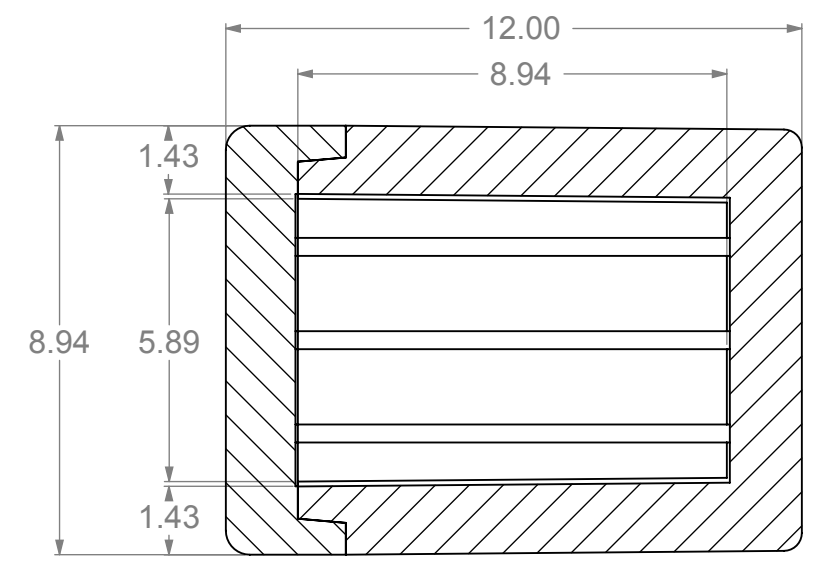
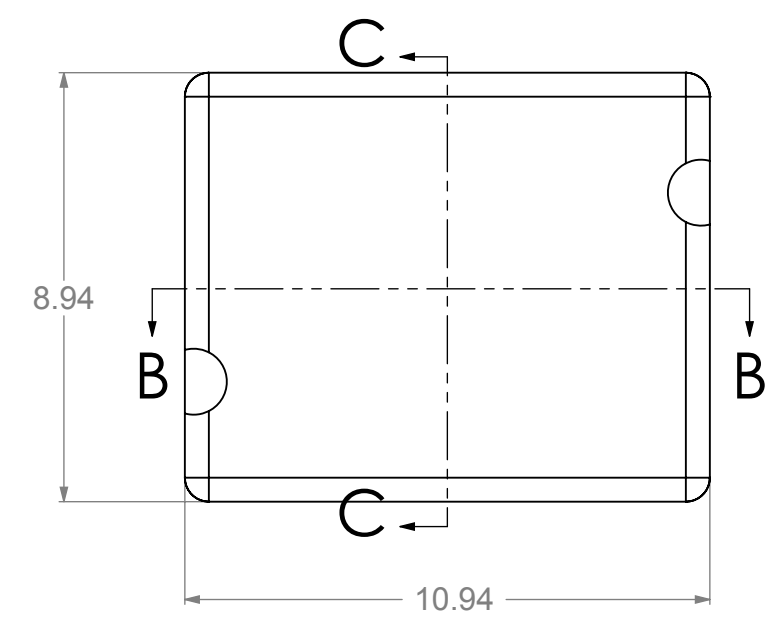


8 7 6 5 4 3 2 1

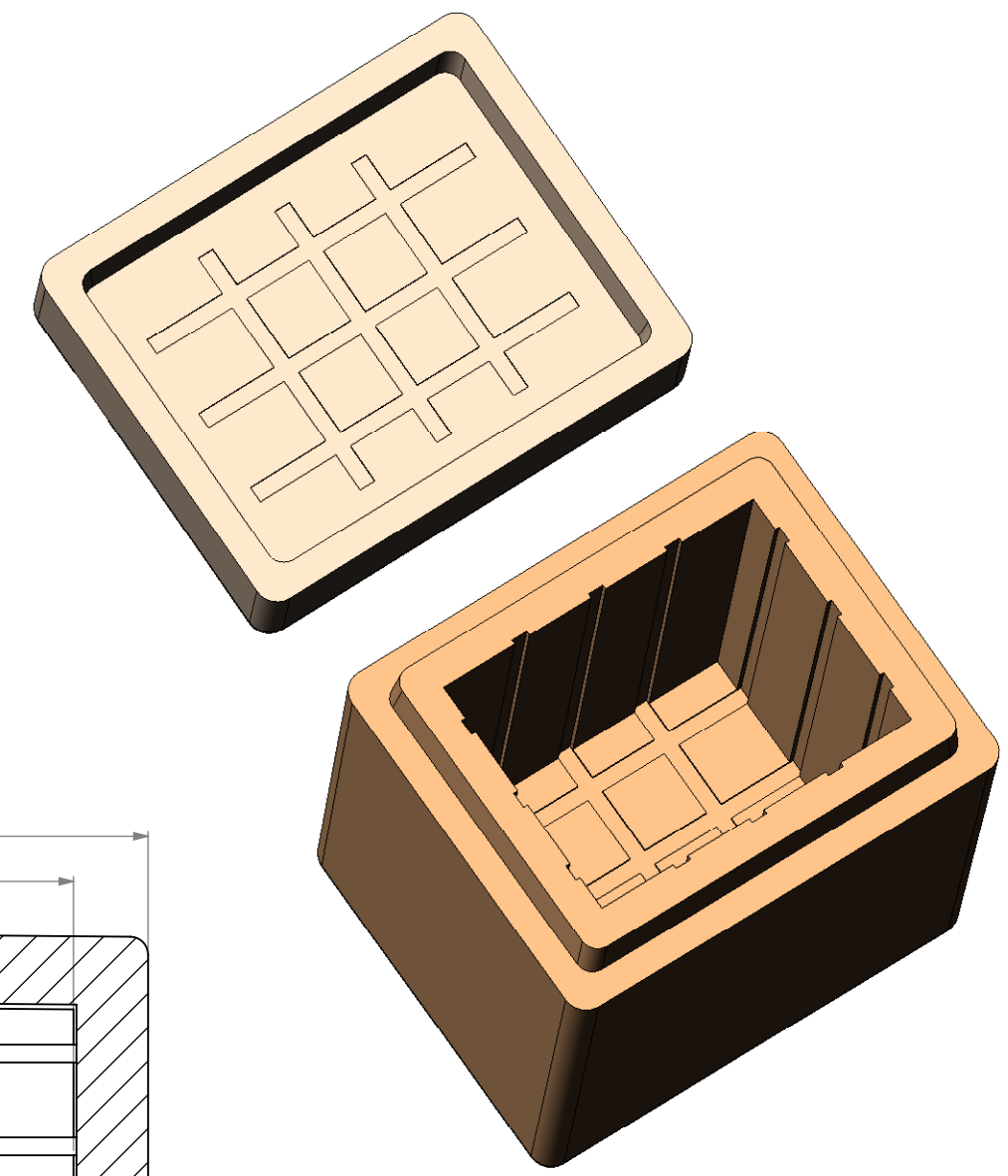
D  
C  
B  
A



SECTION B-B



SECTION C-C



STANDARD EPS TOLERANCES FOR DENSITY 1.12 TO 3.0 PCF

DIM. INCH(MM)	TOL. INC(MM)
0.0 - 6.0(152)	+/- .039 (1)
6.0(152) - 12.0 (305)	+/- .06 (1.5)
12.0(305) - 24.0(610)	+/- .098 (2.5)
24.0(610) - 48.0(1220)	+/- .12 (3)
48.0(1220) - GREATER	+/- .20 (5)

<b>PROPRIETARY AND CONFIDENTIAL</b> THE INFORMATION CONTAINED IN THIS DRAWING IS THE SOLE PROPERTY OF marko foam production ANY REPRODUCTION IN PART OR AS A WHOLE WITHOUT THE WRITTEN PERMISSION OF marko foam production IS PROHIBITED. MATERIAL: <b>EPS 1.25 PCF</b> FINISH: DO NOT SCALE DRAWING	DRAWN	NAME	DATE		<b>IC - 432</b>
	CHECKED				
	ENG APPR.	Ilir Bordoniqi	05/20/10		
	MFG APPR.				
	Q.A.				
	COMMENTS:			SIZE DWG. NO. <b>A</b> CM1618 - K1014 - 12L CM1619 - K1014 - 12B	REV.
	V <sub>B</sub> - 571			SCALE:1:4	WEIGHT:
	V <sub>L</sub> - 169				SHEET 1 OF 1

8 7 6 5 4 3 2 1