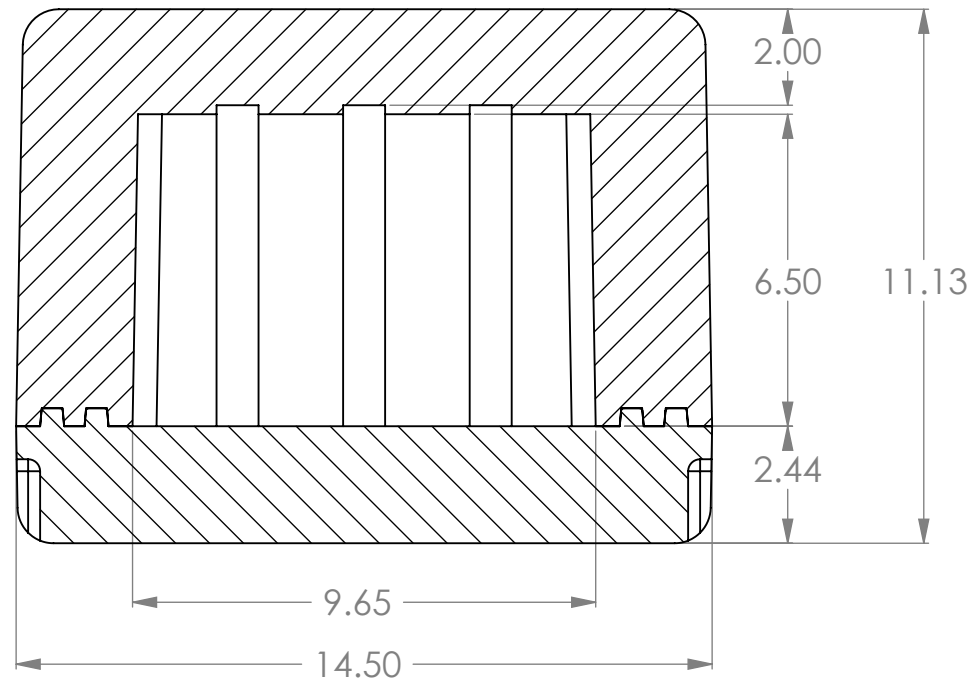


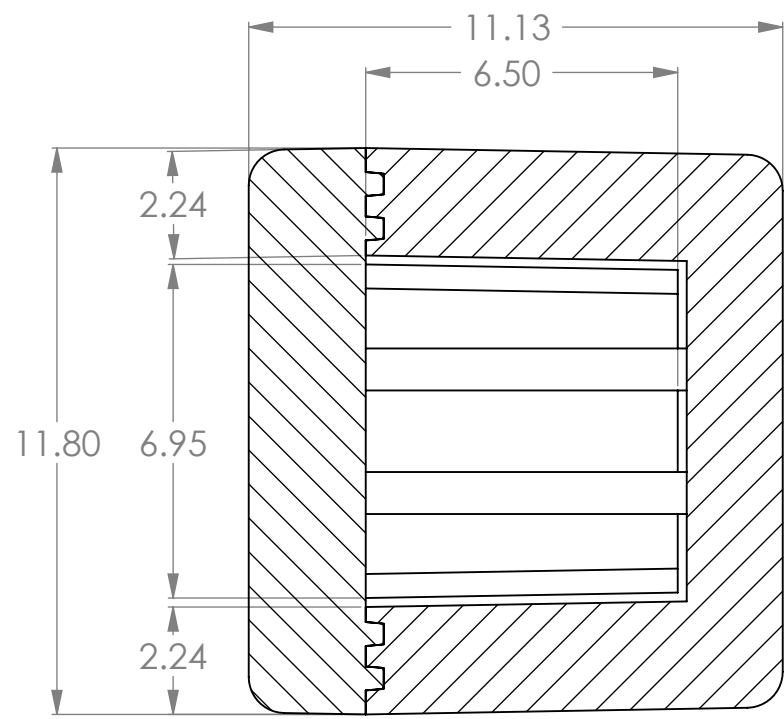
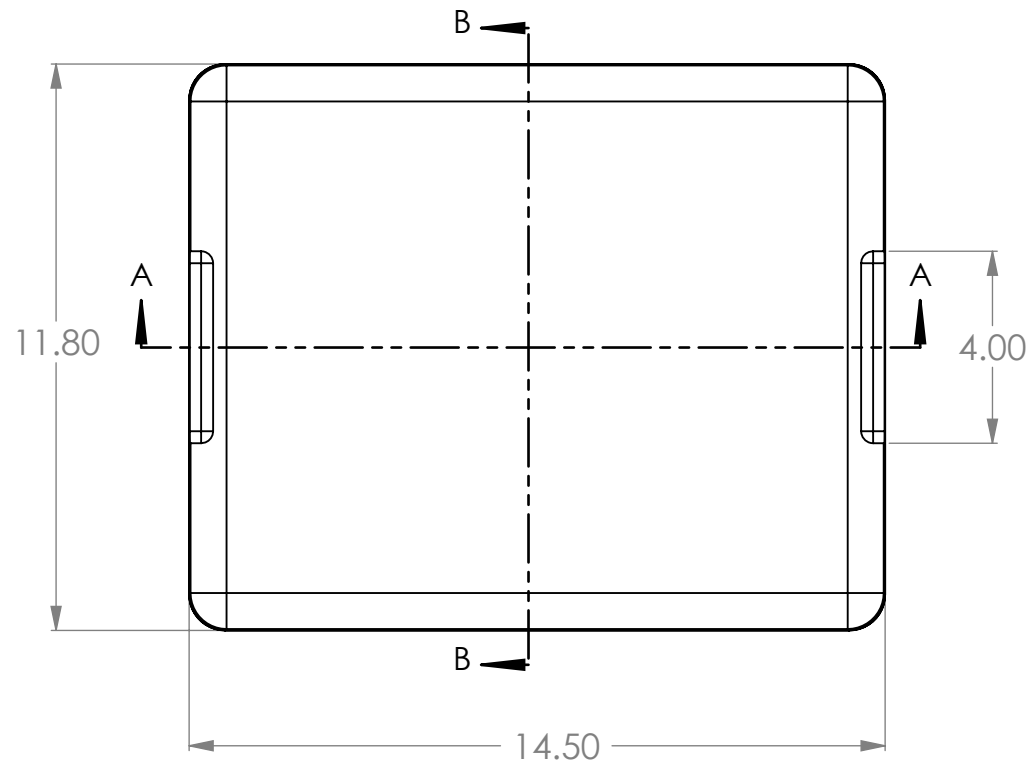
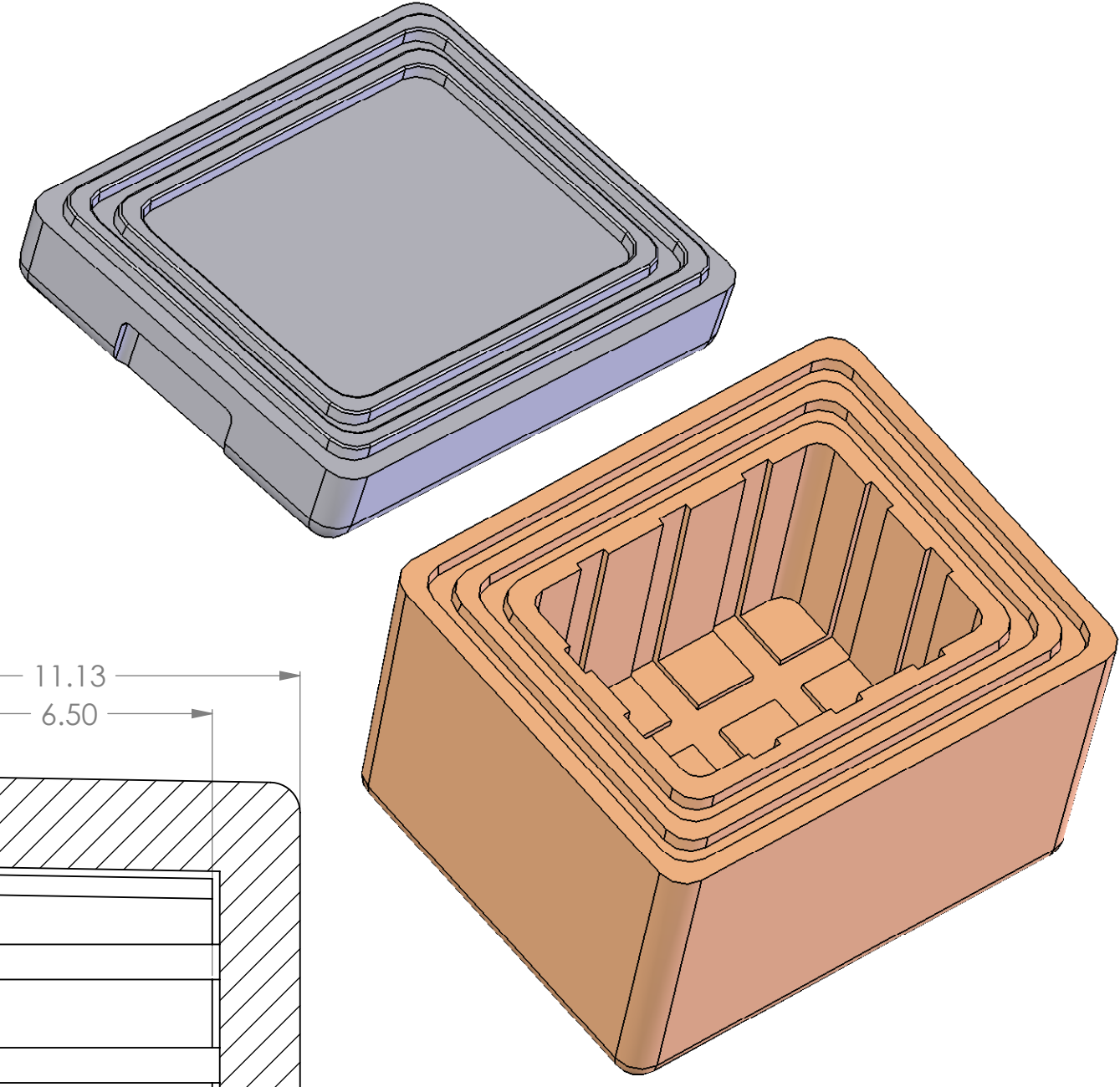
8 7 6 5 4 3 2 1

D
C
B
A

D
C
B
A



SECTION A-A



SECTION B-B

STANDARD EPS TOLERANCES FOR DENSITY 1.12 TO 3.0 PCF

DIM. INCH(MM)	TOL. INC(MM)
0.0 - 6.0(152)	+/- .039 (1)
6.0(152) - 12.0 (305)	+/- .06 (1.5)
12.0(305) - 24.0(610)	+/- .098 (2.5)
24.0(610) - 48.0(1220)	+/- .12 (3)
48.0(1220) - GREATER	+/- .20 (5)

PROPRIETARY AND CONFIDENTIAL THE INFORMATION CONTAINED IN THIS DRAWING IS THE SOLE PROPERTY OF marko foam production. ANY REPRODUCTION IN PART OR AS A WHOLE WITHOUT THE WRITTEN PERMISSION OF marko foam production IS PROHIBITED.	DRAWN	NAME	DATE
	CHECKED		
	ENG APPR.	Iir Bordoniqi	04/14/10
	MFG APPR.		
	Q.A.		
MATERIAL	EPS 1.25 PCF		
FINISH	DO NOT SCALE DRAWING		
COMMENTS:	V _B - 1018 V _L - 428		

IC-395		
SIZE DWG. NO. A CM 5114 - K1317 - 8/4	REV.	SHEET 1 OF 1
SCALE:1:4	WEIGHT:	SHEET 1 OF 1

8 7 6 5 4 3 2 1