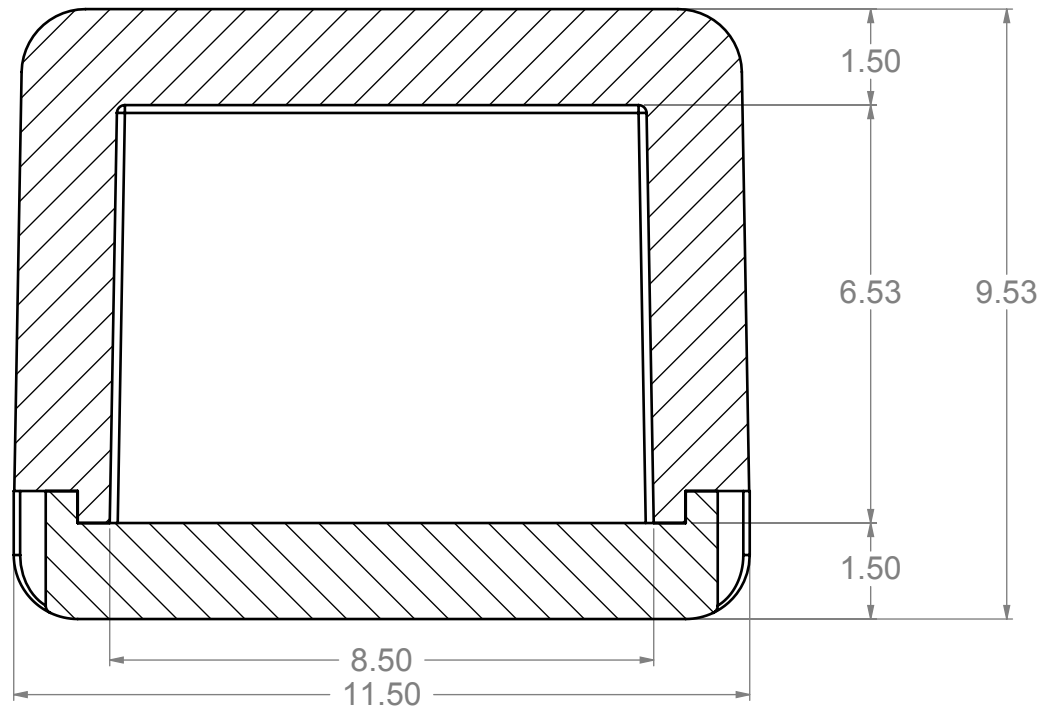
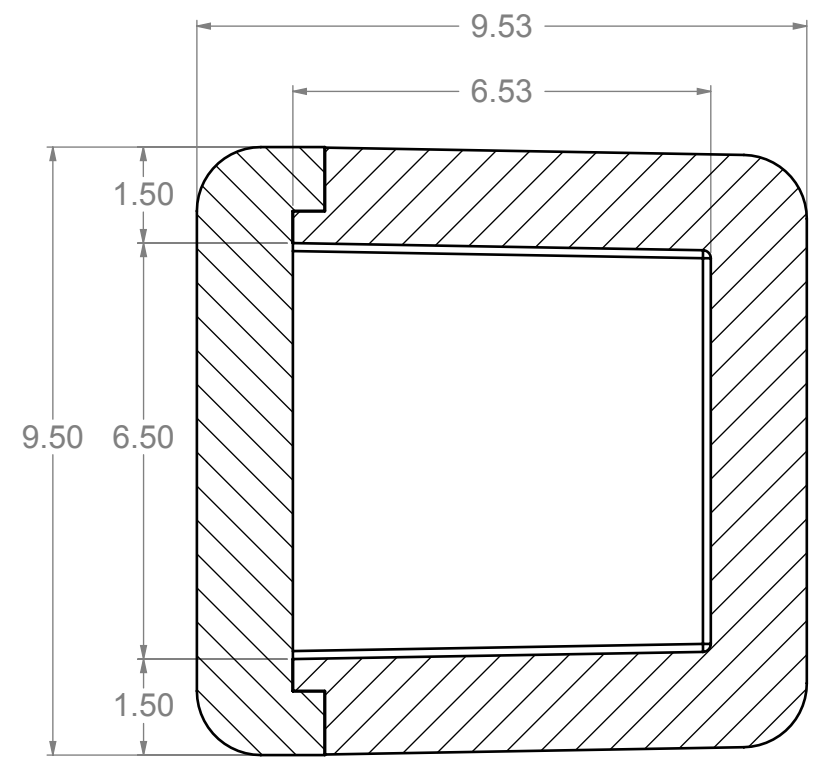
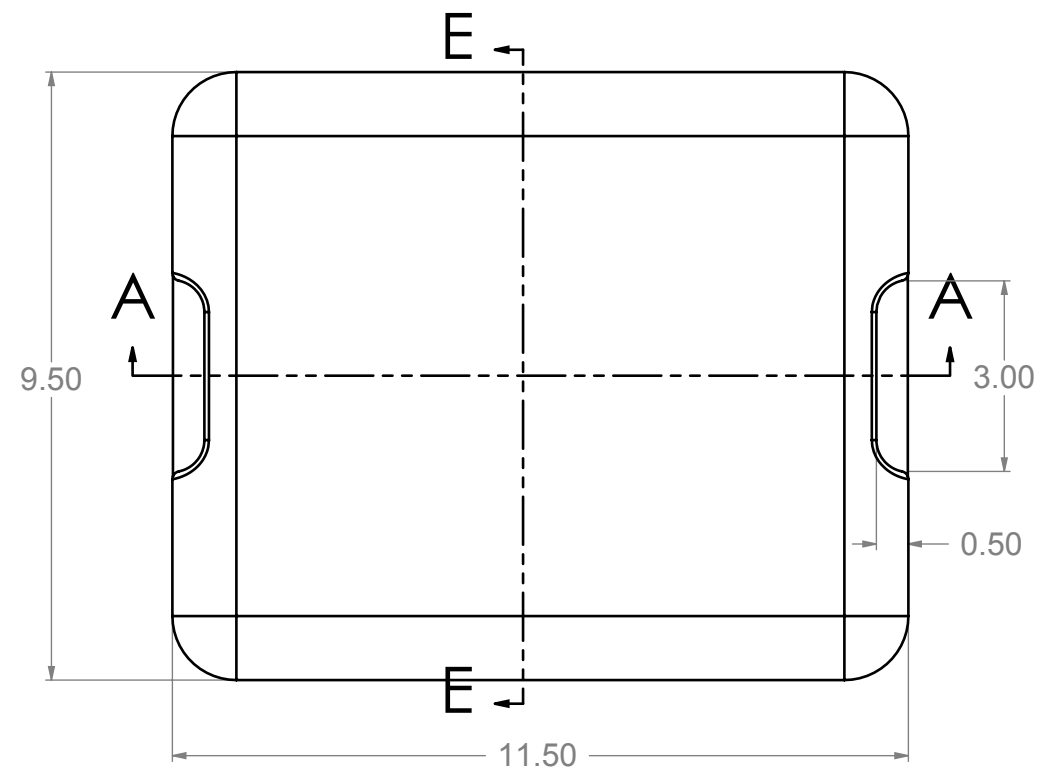
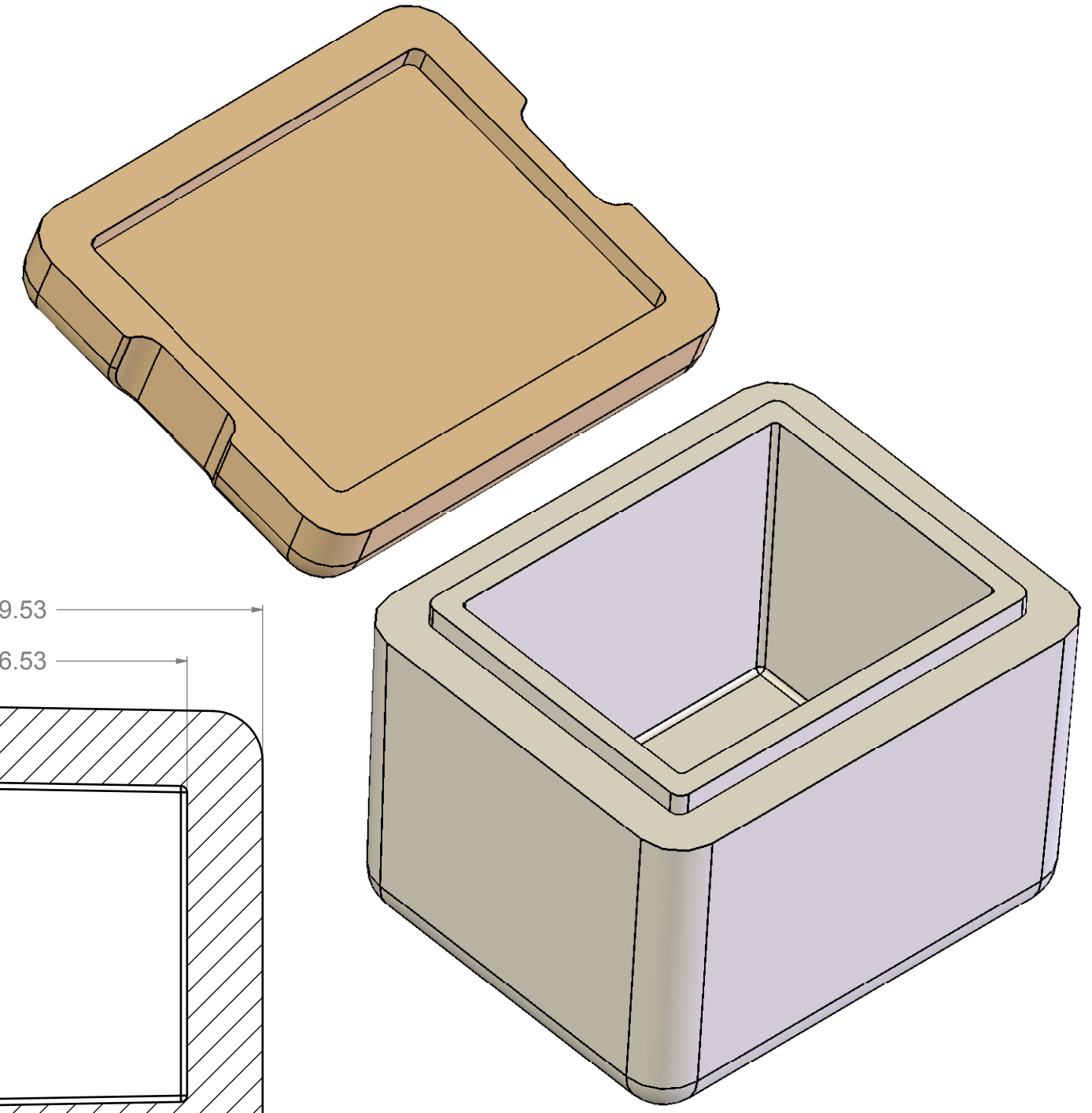


8 7 6 5 4 3 2 1



SECTION A-A



SECTION E-E

STANDARD EPS TOLERANCES FOR DENSITY 1.12 TO 3.0 PCF

DIM. INCH(MM)	TOL. INC(MM)
0.0 - 6.0(152)	+/- .039 (1)
6.0(152) - 12.0 (305)	+/- .06 (1.5)
12.0(305) - 24.0(610)	+/- .098 (2.5)
24.0(610) - 48.0(1220)	+/- .12 (3)
48.0(1220) - GREATER	+/- .20 (5)

PROPRIETARY AND CONFIDENTIAL		DRAWN	NAME	DATE
THE INFORMATION CONTAINED IN THIS DRAWING IS THE SOLE PROPERTY OF marko foam production ANY REPRODUCTION IN PART OR AS A WHOLE WITHOUT THE WRITTEN PERMISSION OF marko foam production IS PROHIBITED.		CHECKED		
MATERIAL EPS 1.25 PCF		ENG APPR.	Ilir Bordoniqi	04/14/10
FINISH		MFG APPR.		
DO NOT SCALE DRAWING		Q.A.		
		COMMENTS:		
		V _B - 472		
		V _L - 169		

		<p>IC-359</p>	
SIZE DWG. NO.	REV.		
A	CM 5187 - K1317 - 18/9		
SCALE:1:3	WEIGHT:	SHEET 1 OF 1	

8 7 6 5 4 3 2 1