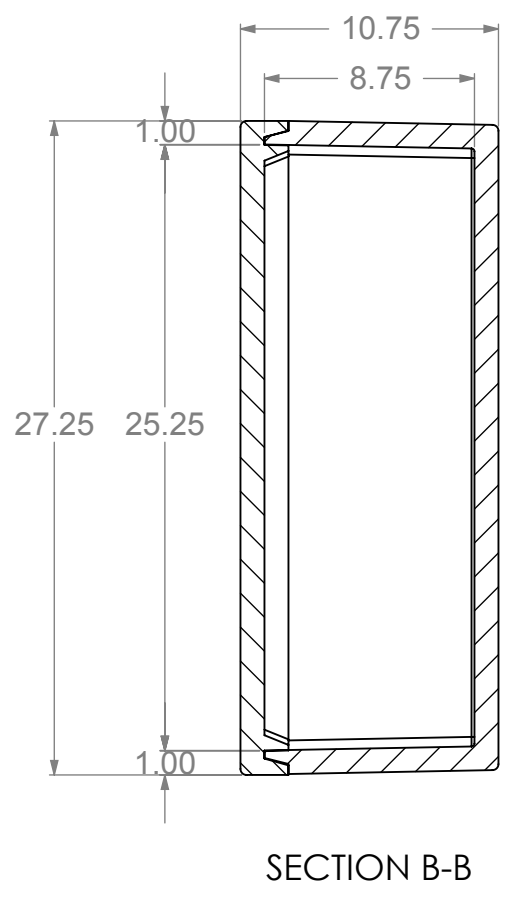
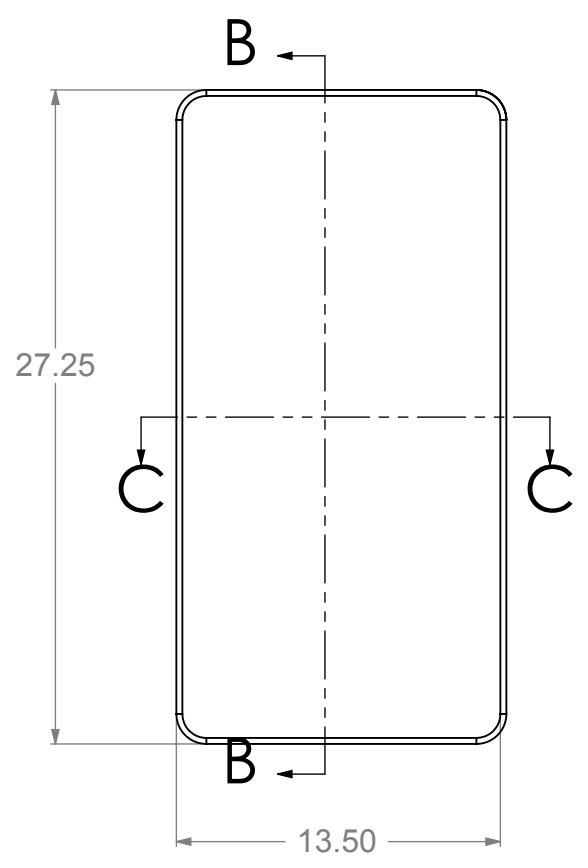
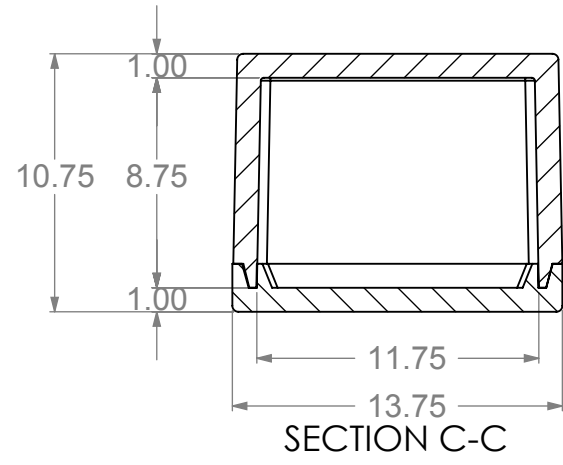


8 7 6 5 4 3 2 1



**STANDARD EPS TOLERANCES FOR DENSITY 1.12 TO 3.0 PCF**

DIM. INCH(MM)	TOL. INC(MM)
0.0 - 6.0(152)	+/- .039 (1)
6.0(152) - 12.0 (305)	+/- .06 (1.5)
12.0(305) - 24.0(610)	+/- .098 (2.5)
24.0(610) - 48.0(1220)	+/- .12 (3)
48.0(1220) - GREATER	+/- .20 (5)

<p><b>PROPRIETARY AND CONFIDENTIAL</b></p> <p>THE INFORMATION CONTAINED IN THIS DRAWING IS THE SOLE PROPERTY OF <b>marko foam production</b>. ANY REPRODUCTION IN PART OR AS A WHOLE WITHOUT THE WRITTEN PERMISSION OF <b>marko foam production</b> IS PROHIBITED.</p> <p>MATERIAL: <b>EPS 1.25 PCF</b></p> <p>FINISH: <b>DO NOT SCALE DRAWING</b></p>	DRAWN	NAME	DATE	<p><b>IC - 2570</b></p> <p>SIZE DWG. NO. <b>A</b> CM1555 - K1317 - 6/3</p> <p>SCALE:1:8 WEIGHT: SHEET 1 OF 1</p>
	CHECKED			
	ENG APPR.	Ilir Bordoniqi	06-08-10	
	MFG APPR.			
	Q.A.			
COMMENTS:	<p><b>V<sub>B</sub> - 982</b></p> <p><b>V<sub>L</sub> - 447</b></p>		REV.	

8 7 6 5 4 3 2 1