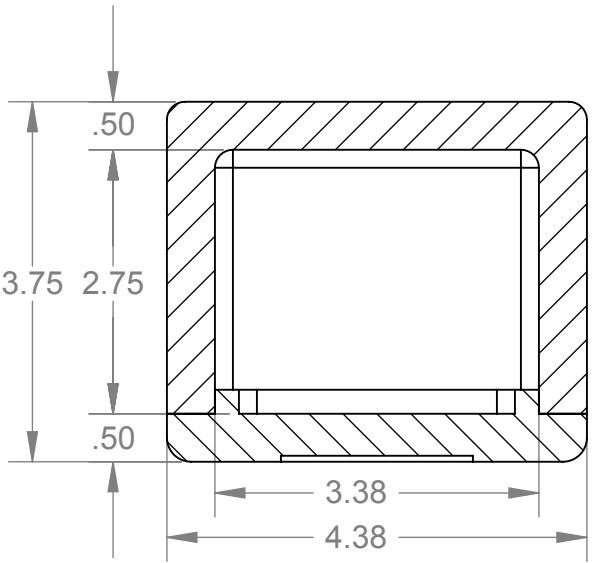
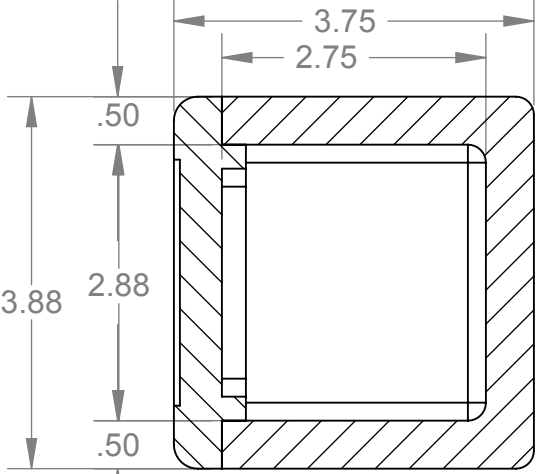
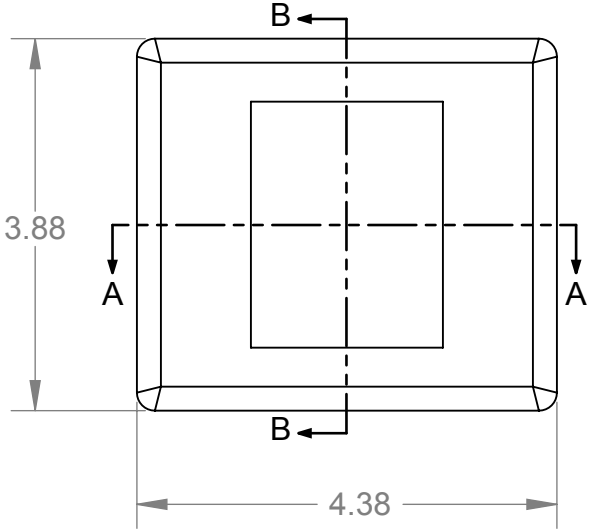
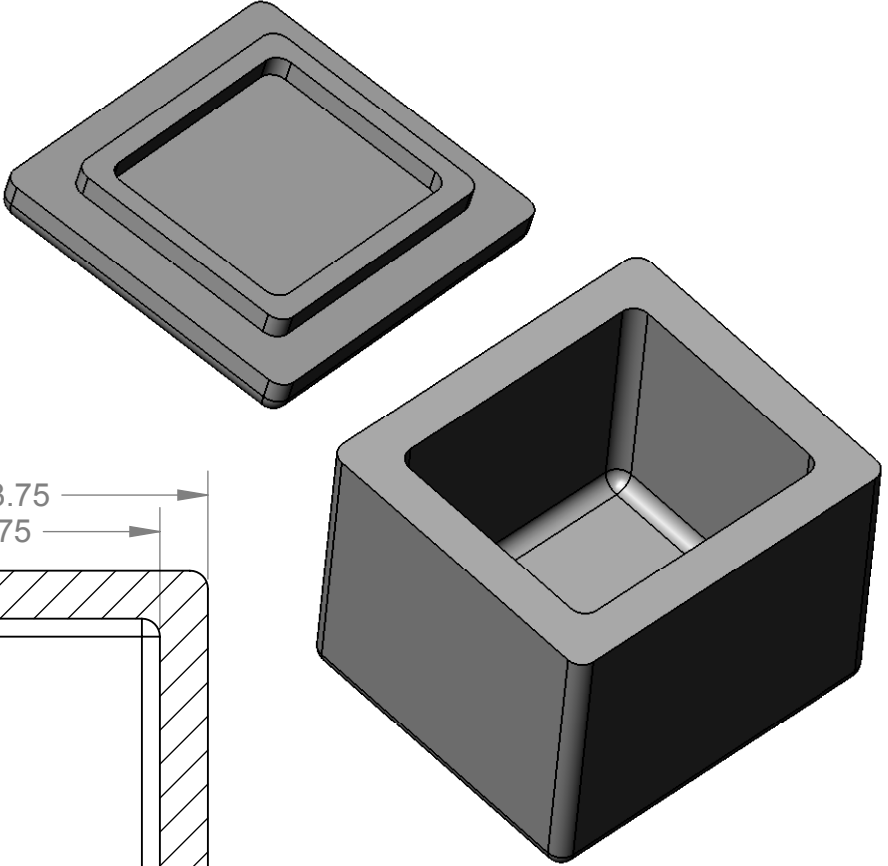


| ZONE | | REV. | REVISIONS | DATE | APPROVED |
|------|--|------|-------------|------|----------|
| | | | DESCRIPTION | | |
| | | | | | |





SECTION A-A



SECTION B-B

STANDARD EPS TOLERANCES
FOR DENSITY 1.12 TO 3.0 PCF

| DIM. | INCH(MM) | TOL. | INC(MM) |
|------------|--------------|------|------------|
| 0.0 | - 6.0(152) | +/- | .039 (1) |
| 6.0(152) | - 12.0 (305) | +/- | .06 (1.5) |
| 12.0(305) | - 24.0(610) | +/- | .098 (2.5) |
| 24.0(610) | - 48.0(1220) | +/- | .12 (3) |
| 48.0(1220) | - GREATER | +/- | .20 (5) |

| | | | | | |
|---|--|-----------|-------------------------|---|---|
| PROPRIETARY AND CONFIDENTIAL | | NAME | DATE |  IC - 24 |  |
| THE INFORMATION CONTAINED IN THIS DRAWING IS THE SOLE PROPERTY OF marko foam production ANY REPRODUCTION IN PART OR AS A WHOLE WITHOUT THE WRITTEN PERMISSION OF marko foam production IS PROHIBITED. | | DRAWN | | | |
| MATERIAL EPS 1.25 PCF | | CHECKED | | | |
| FINISH | | ENG APPR. | Ilir Bordoniqi 04/12/10 | | |
| DO NOT SCALE DRAWING | | MFG APPR. | | | |
| | | Q.A. | | COMMENTS: V _B - 118 V _L - 9 | |
| | | SCALE:1:2 | | WEIGHT: | SHEET 1 OF 1 |