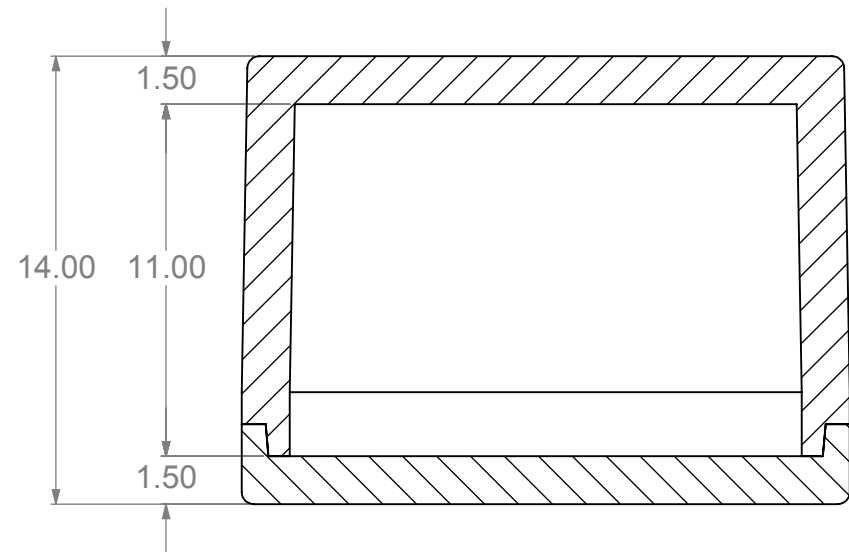


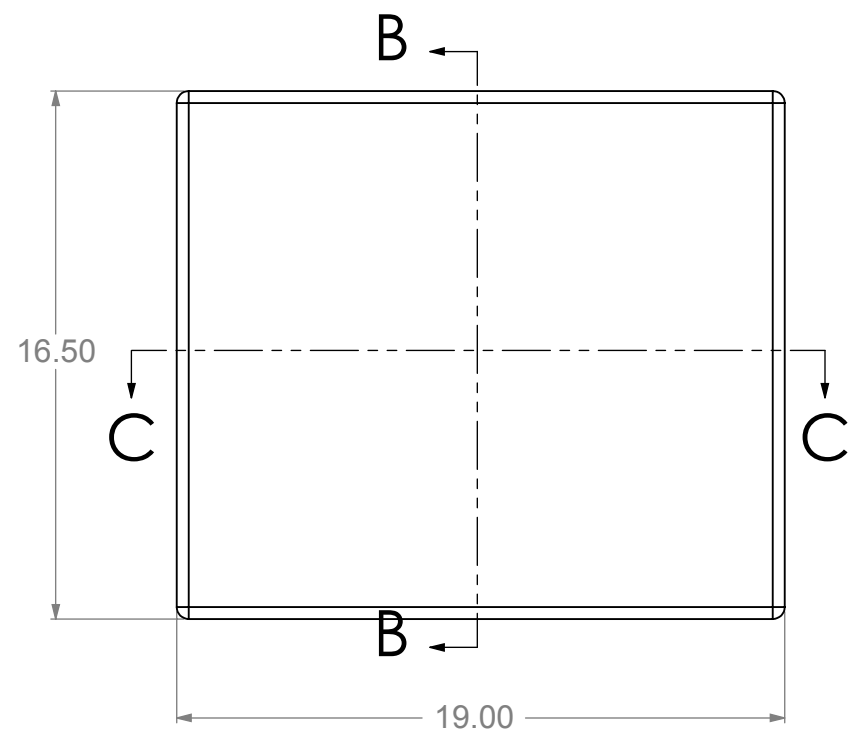
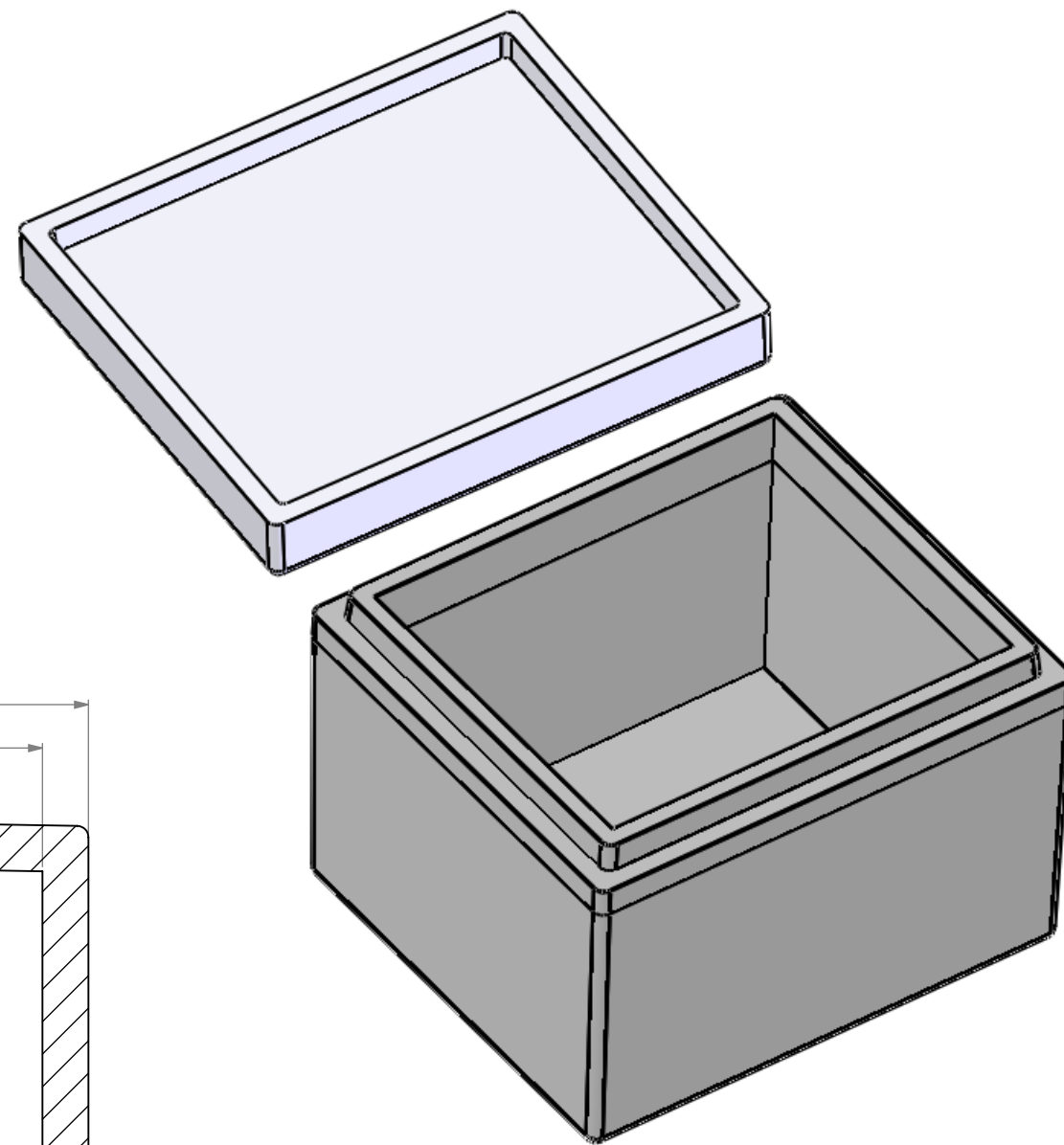
8 7 6 5 4 3 2 1

D  
C  
B  
A

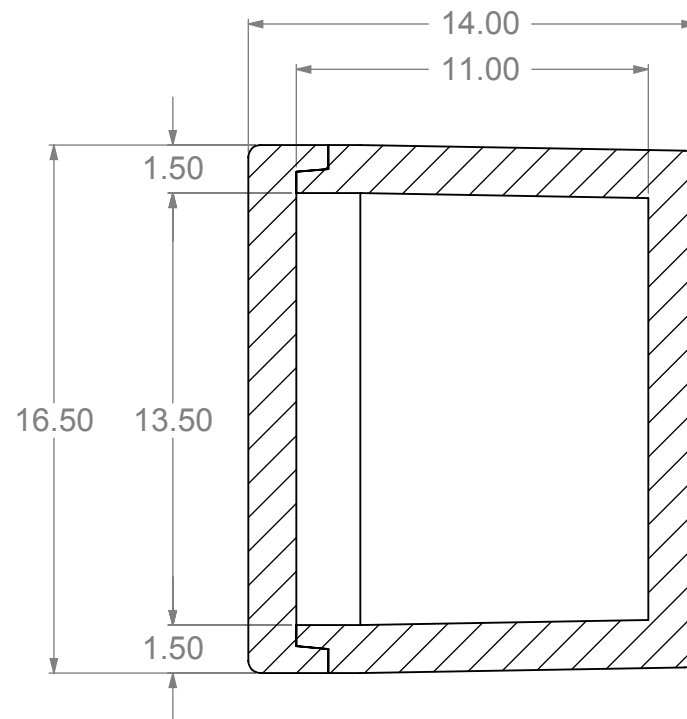
D  
C  
B  
A



SECTION C-C




SECTION B-B



STANDARD EPS TOLERANCES  
FOR DENSITY 1.12 TO 3.0 PCF

DIM. INCH(MM)	TOL. INC(MM)
0.0 - 6.0(152)	+/- .039 (1)
6.0(152) - 12.0 (305)	+/- .06 (1.5)
12.0(305) - 24.0(610)	+/- .098 (2.5)
24.0(610) - 48.0(1220)	+/- .12 (3)
48.0(1220) - GREATER	+/- .20 (5)

<b>PROPRIETARY AND CONFIDENTIAL</b> THE INFORMATION CONTAINED IN THIS DRAWING IS THE SOLE PROPERTY OF <b>marko foam production</b> . ANY REPRODUCTION IN PART OR AS A WHOLE WITHOUT THE WRITTEN PERMISSION OF <b>marko foam production</b> IS PROHIBITED.	DRAWN	NAME	DATE	
	CHECKED			
	ENG APPR.	Ilir Bordoniqi	06-08-10	
	MFG APPR.			
	Q.A.			
MATERIAL	EPS 1.25 PCF			COMMENTS: V <sub>B</sub> - 1476 V <sub>L</sub> - 522
FINISH	DO NOT SCALE DRAWING			
SIZE DWG. NO. <b>A</b> CM2283B - K1317- 6/3		REV.		SHEET 1 OF 1
SCALE:1:6		WEIGHT:		

8 7 6 5 4 3 2 1