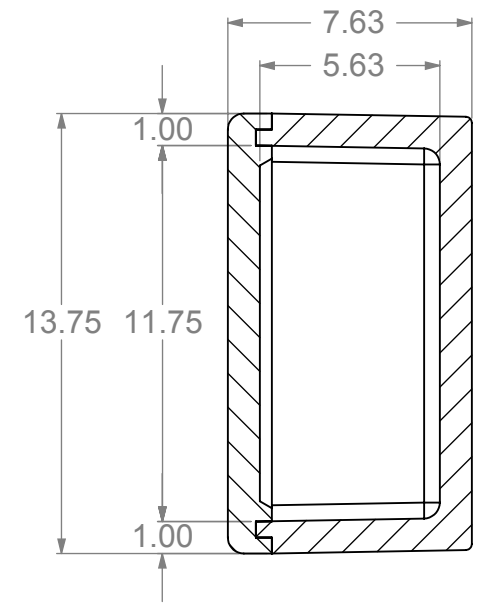
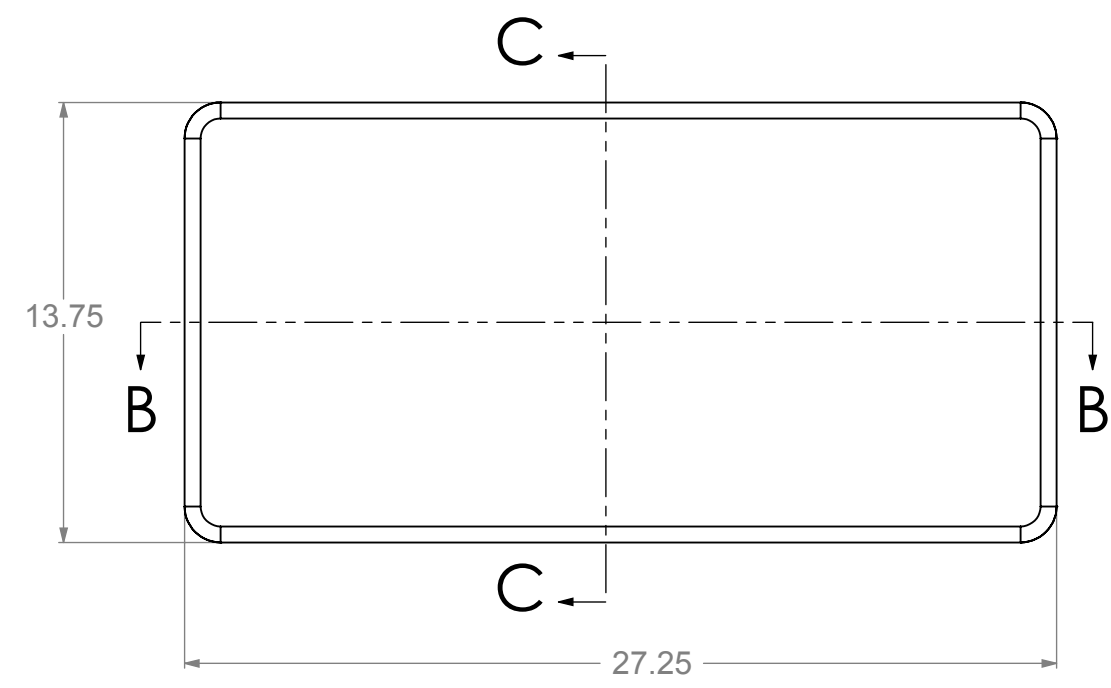


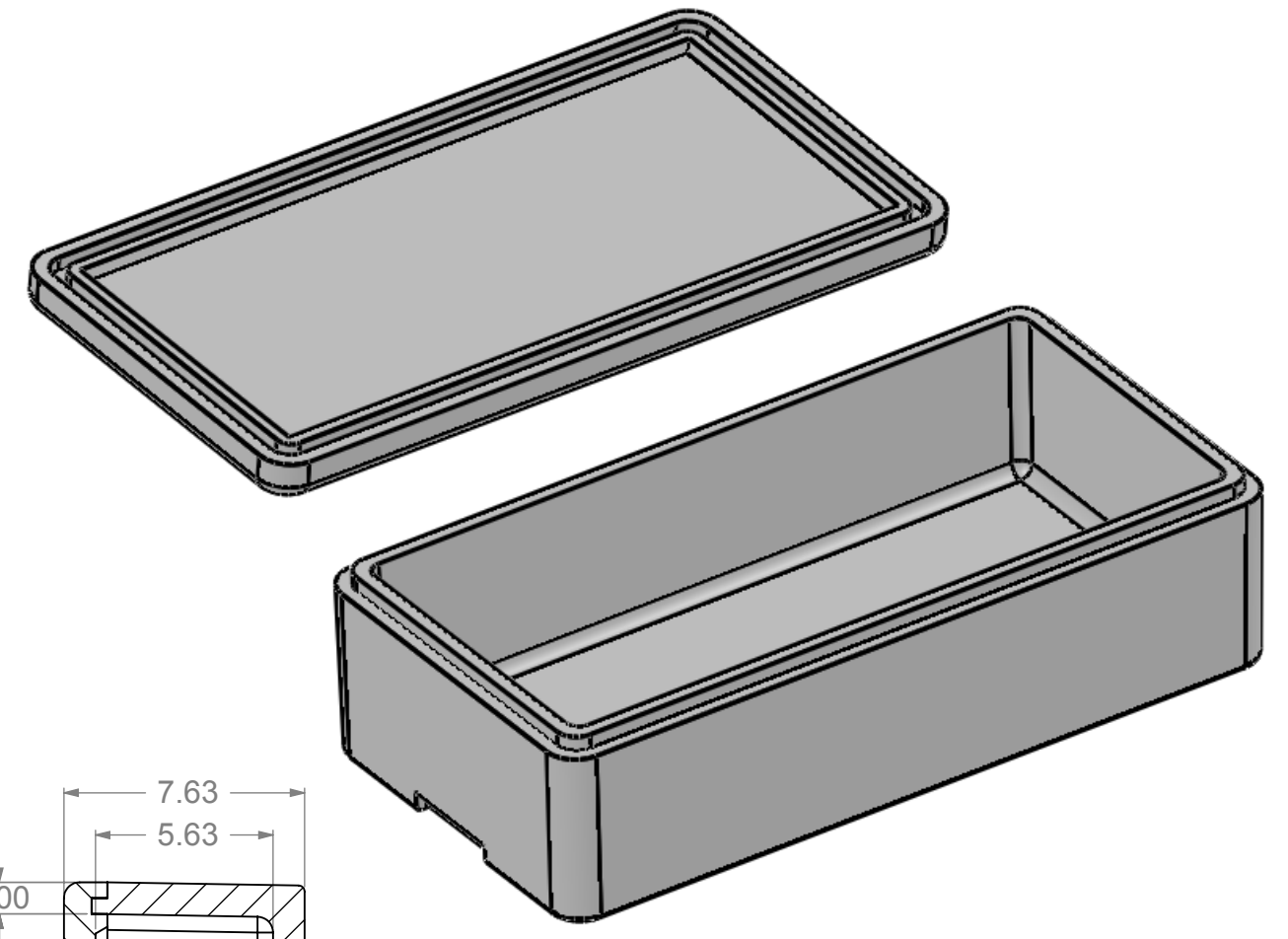
SECTION B-B




SECTION C-C

STANDARD EPS TOLERANCES FOR DENSITY 1.12 TO 3.0 PCF

DIM. INCH(MM)	TOL. INC(MM)
0.0 - 6.0"(152)	+/- .039 (1)
6.0(152) - 12.0 (305)	+/- .06 (1.5)
12.0(305) - 24.0(610)	+/- .098 (2.5)
24.0(610) - 48.0(1220)	+/- .12 (3)
48.0(1220) - GREATER	+/- .20 (5)



PROPRIETARY AND CONFIDENTIAL		DRAWN	NAME	DATE
THE INFORMATION CONTAINED IN THIS DRAWING IS THE SOLE PROPERTY OF marko foam production . ANY REPRODUCTION IN PART OR AS A WHOLE WITHOUT THE WRITTEN PERMISSION OF marko foam production IS PROHIBITED.		CHECKED		
MATERIAL: EPS 1.25 PCF		ENG APPR.	Ilir Bordoniqi	06-08-10
FINISH: DO NOT SCALE DRAWING		MFG APPR.		
		Q.A.		
		COMMENTS:	V_B - 791 V_L - 394	
				
		IC - 1622		
SIZE	DWG. NO.	REV.		
A	CM3223B - K1014 - 3 CM3224L - K1014 - 3			
SCALE: 1:6	WEIGHT:	SHEET 1 OF 1		