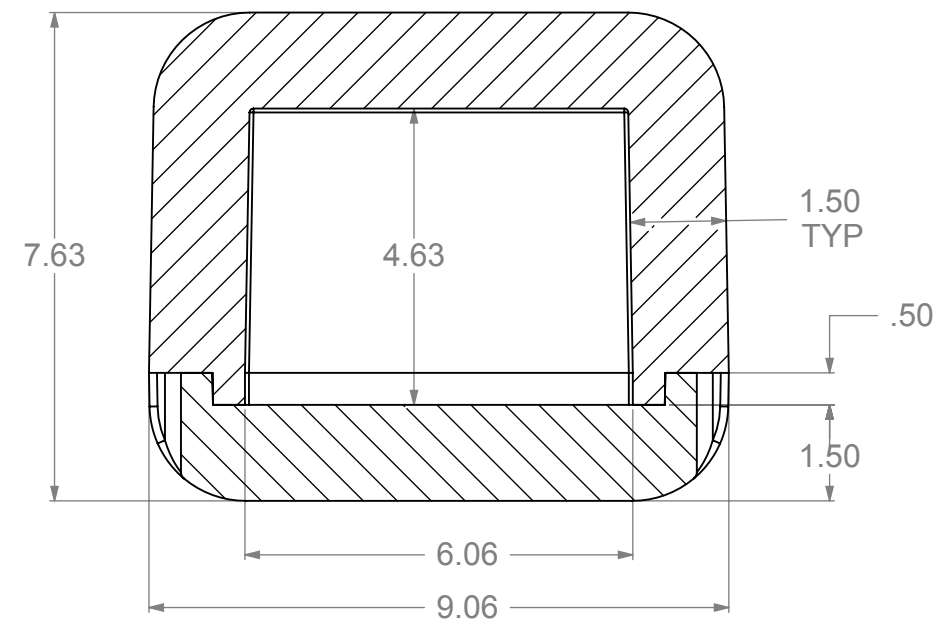
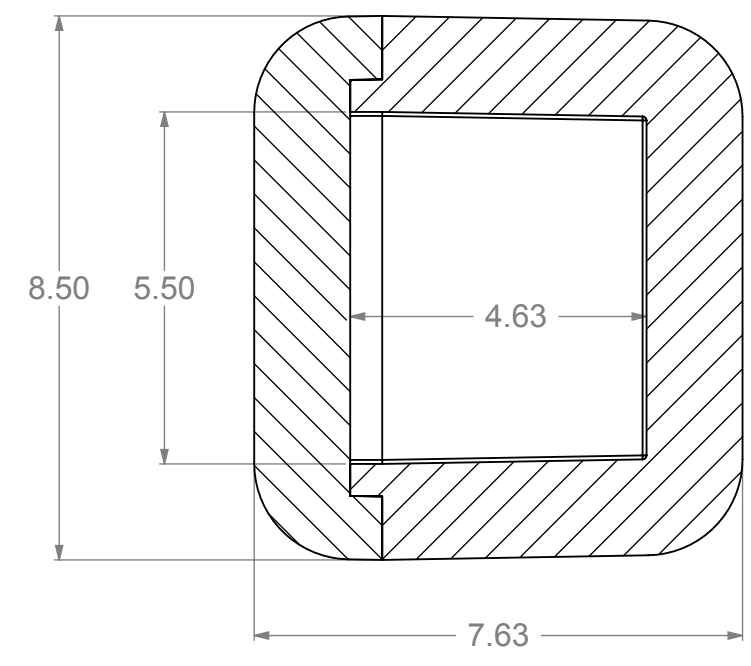
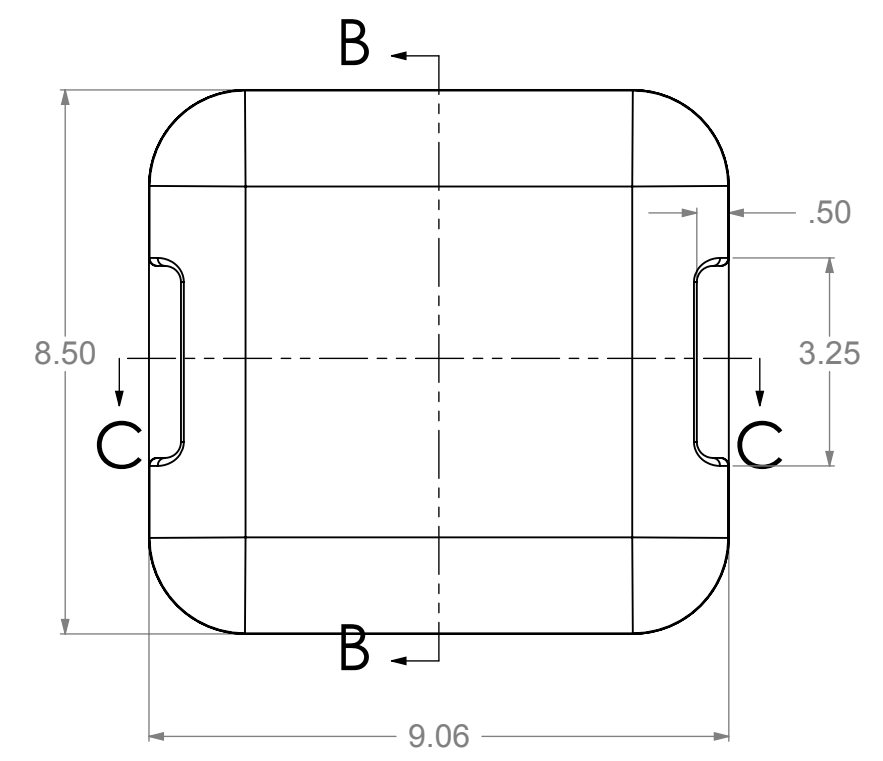


8 7 6 5 4 3 2 1



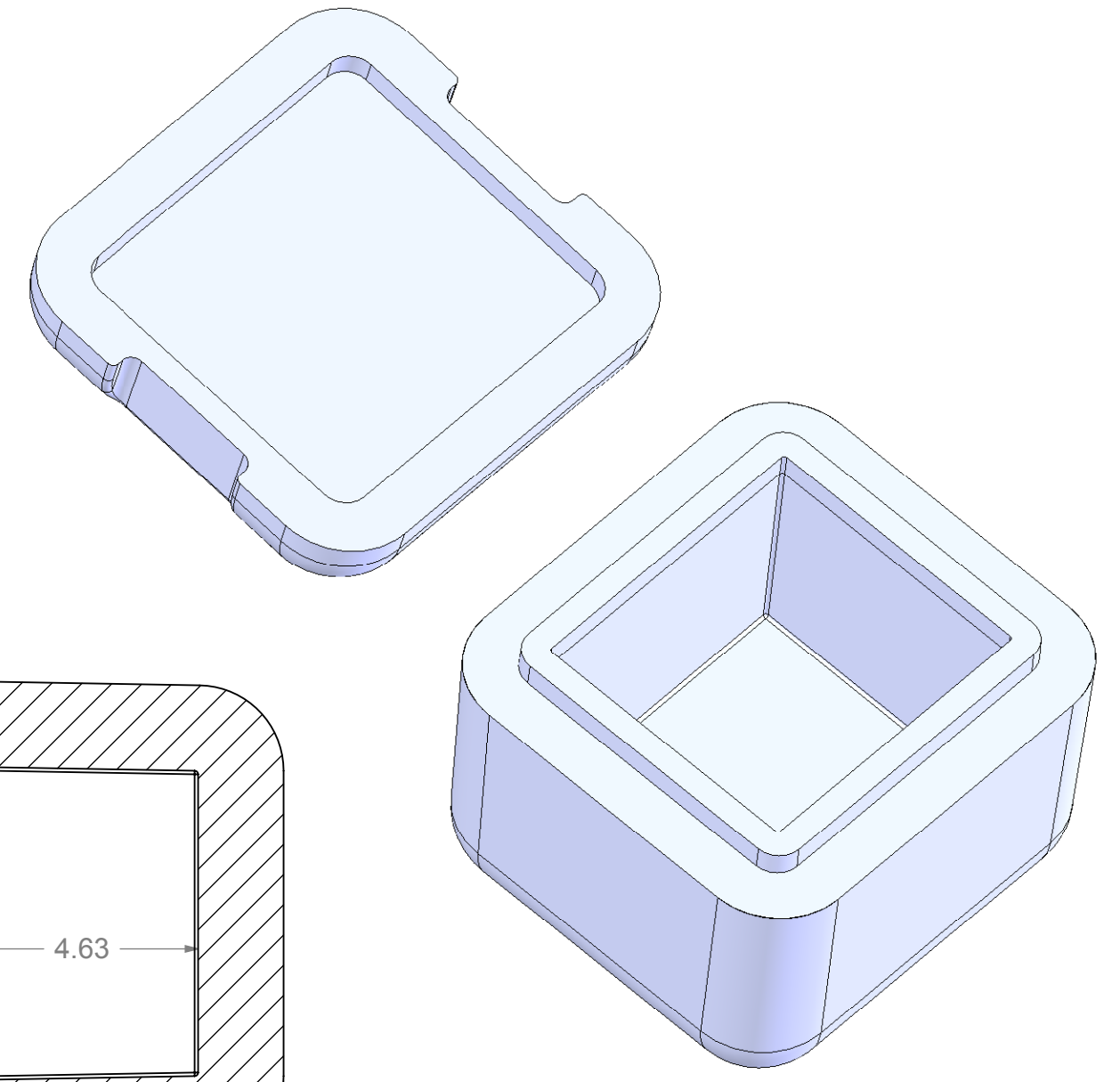
SECTION C-C




SECTION B-B

STANDARD EPS TOLERANCES FOR DENSITY 1.12 TO 3.0 PCF

DIM. INCH(MM)	TOL. INC(MM)
0.0 - 6.0(152)	+/- .039 (1)
6.0(152) - 12.0 (305)	+/- .06 (1.5)
12.0(305) - 24.0(610)	+/- .098 (2.5)
24.0(610) - 48.0(1220)	+/- .12 (3)
48.0(1220) - GREATER	+/- .20 (5)



PROPRIETARY AND CONFIDENTIAL THE INFORMATION CONTAINED IN THIS DRAWING IS THE SOLE PROPERTY OF marko foam production . ANY REPRODUCTION IN PART OR AS A WHOLE WITHOUT THE WRITTEN PERMISSION OF marko foam production IS PROHIBITED.	DRAWN	NAME	DATE	
	CHECKED			
	ENG APPR.	Ilir Bordoniqi	04/12/10	
	MFG APPR.			
MATERIAL	EPS 1.0 PCF		Q.A.	IC - 151
FINISH	DO NOT SCALE DRAWING		COMMENTS: V _B - 272 V _L - 109	
			SIZE DWG. NO.	REV.
			A CM 5188 - K1317 - 12/6	
			SCALE:1:3	WEIGHT:
			SHEET 1 OF 1	

8 7 6 5 4 3 2 1