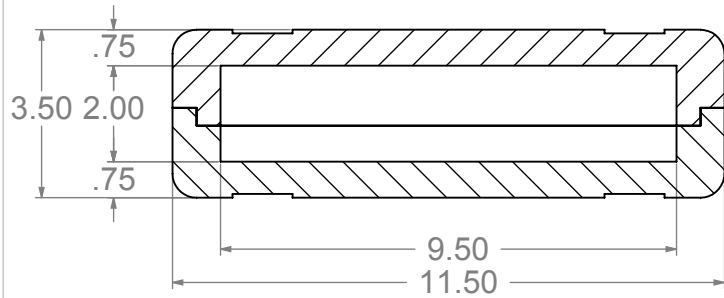
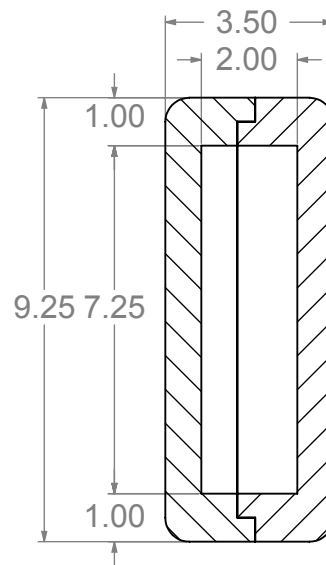
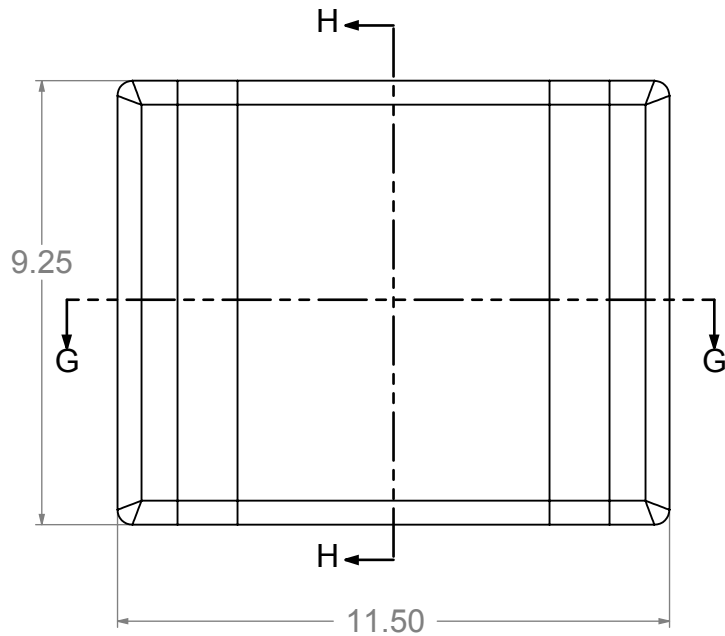
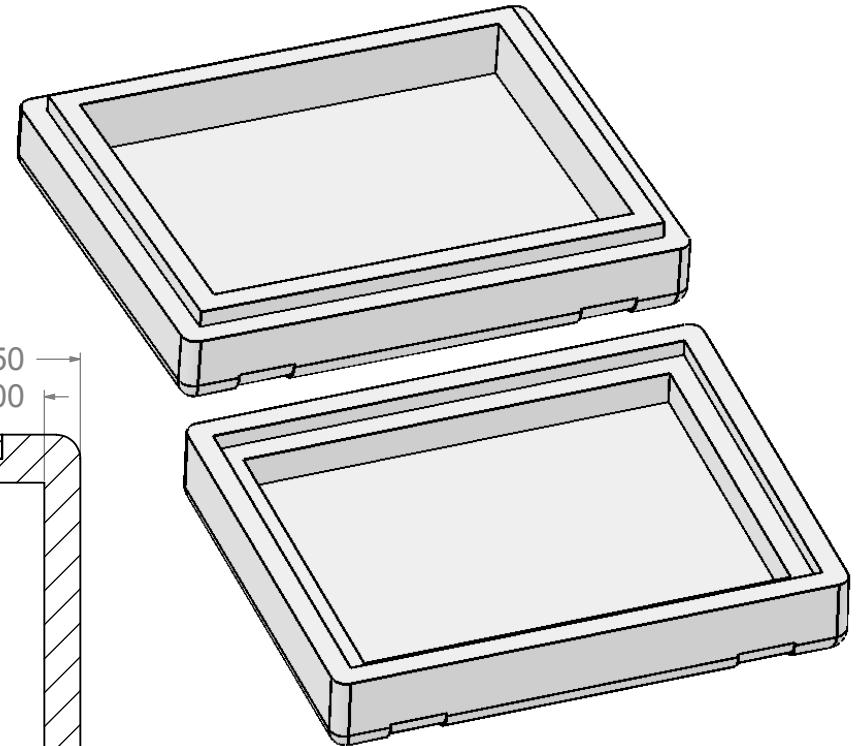


		REVISIONS			
ZONE	REV.	DESCRIPTION	DATE	APPROVED	





SECTION G-G



SECTION H-H

STANDARD EPS TOLERANCES
FOR DENSITY 1.12 TO 3.0 PCF

DIM. INCH(MM)	TOL. INC(MM)
0.0 - 6.0(152)	+/- .039 (1)
6.0(152) - 12.0 (305)	+/- .06 (1.5)
12.0(305) - 24.0(610)	+/- .098 (2.5)
24.0(610) - 48.0(1220)	+/- .12 (3)
48.0(1220) - GREATER	+/- .20 (5)

PROPRIETARY AND CONFIDENTIAL THE INFORMATION CONTAINED IN THIS DRAWING IS THE SOLE PROPERTY OF marko foam production ANY REPRODUCTION IN PART OR AS A WHOLE WITHOUT THE WRITTEN PERMISSION OF marko foam production IS PROHIBITED. MATERIAL EPS 1.25 PCF FINISH DO NOT SCALE DRAWING	NAME	DATE	 IC - 137	
	DRAWN			
	CHECKED			
	ENG APPR. Ilir Bordoniqi	08/09/10		
	MFG APPR.			
COMMENTS:	V _T - 116 V _B - 112		Q.A.	
	SIZE DWG. NO.	WEIGHT:	REVISIONS	
	A CM 1032 - K1014 - 10/5			
	SCALE:1:4			SHEET 1 OF 1