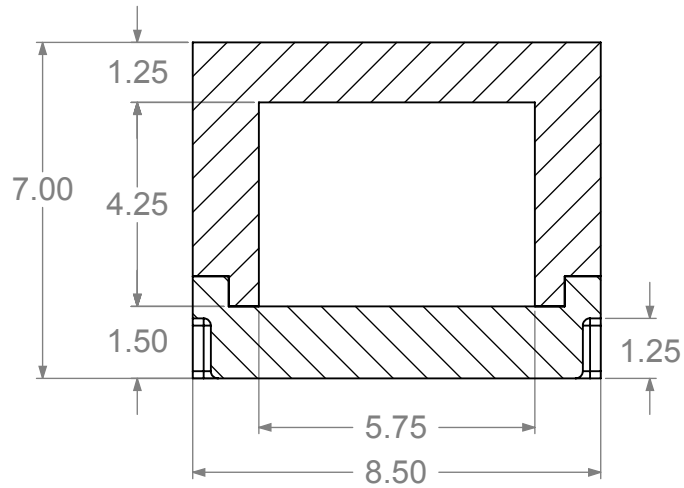
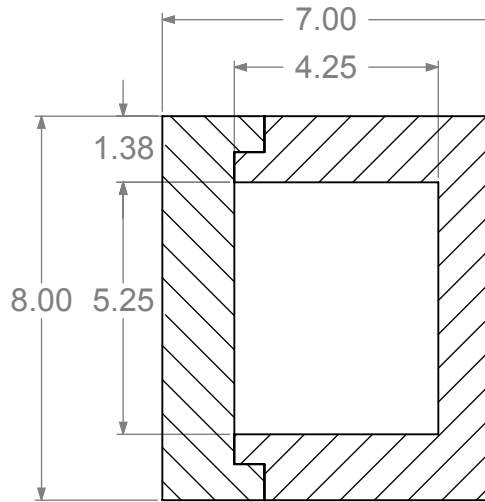
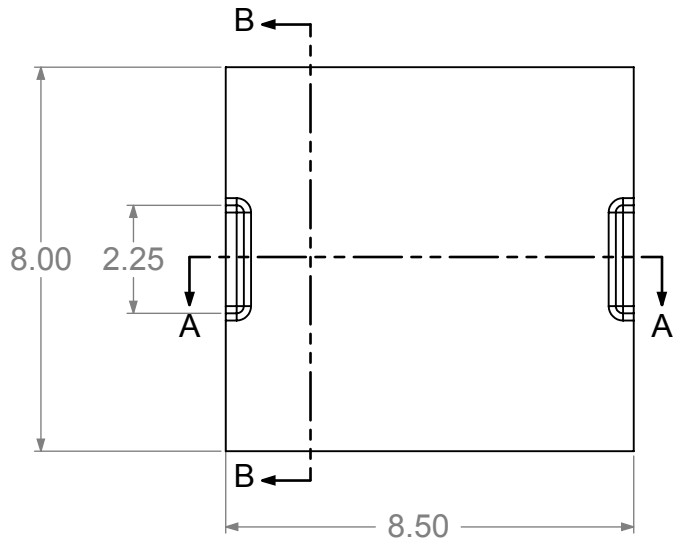
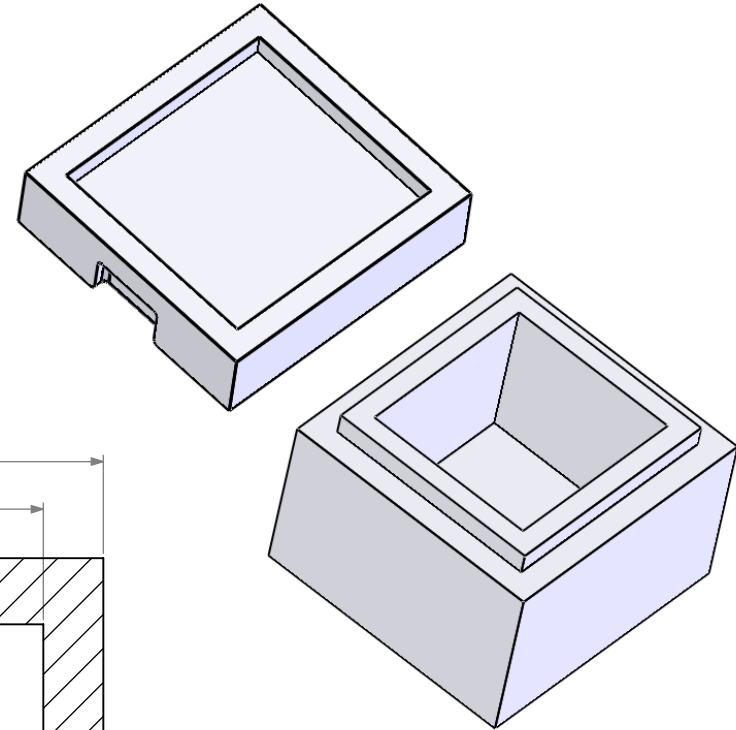


		REVISIONS			
ZONE	REV.	DESCRIPTION	DATE	APPROVED	



SECTION A-A



SECTION B-B

STANDARD EPS TOLERANCES  
FOR DENSITY 1.12 TO 3.0 PCF

DIM. INCH(MM)	TOL. INC(MM)
0.0 - 6.0(152)	+/- .039 (1)
6.0(152) - 12.0 (305)	+/- .06 (1.5)
12.0(305) - 24.0(610)	+/- .098 (2.5)
24.0(610) - 48.0(1220)	+/- .12 (3)
48.0(1220) - GREATER	+/- .20 (5)

PROPRIETARY AND CONFIDENTIAL

THE INFORMATION CONTAINED  
IN THIS DRAWING IS THE SOLE  
PROPERTY OF marko foam  
production ANY REPRODUCTION  
IN PART OR AS A WHOLE WITHOUT  
THE WRITTEN PERMISSION OF  
marko foam production IS PROHIBITED.

MATERIAL  
**EPS 1.25 PCF**

FINISH

DO NOT SCALE DRAWING

NAME DATE

DRAWN  
CHECKED  
ENG APPR. Ilir Bordoniqi 05/14/10  
MFG APPR.  
Q.A.

COMMENTS:

V<sub>B</sub> - 232  
V<sub>L</sub> - 117

**marko**  
foam products inc



**IC 128**

SIZE DWG. NO. REV.

**A** SCALE:1:4 WEIGHT: SHEET 1 OF 1