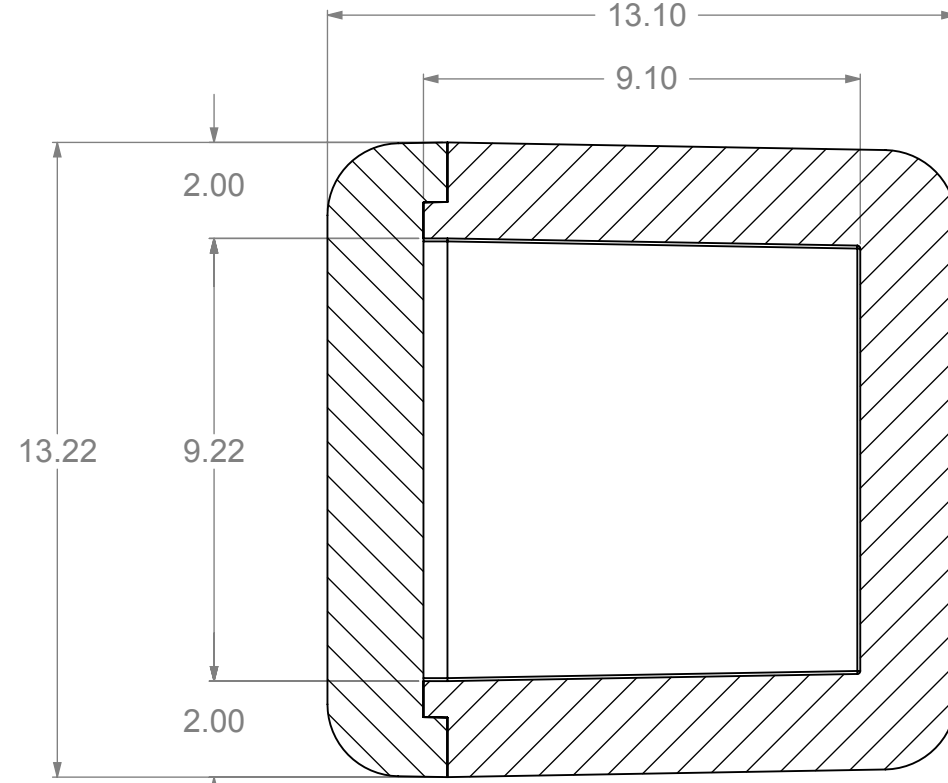
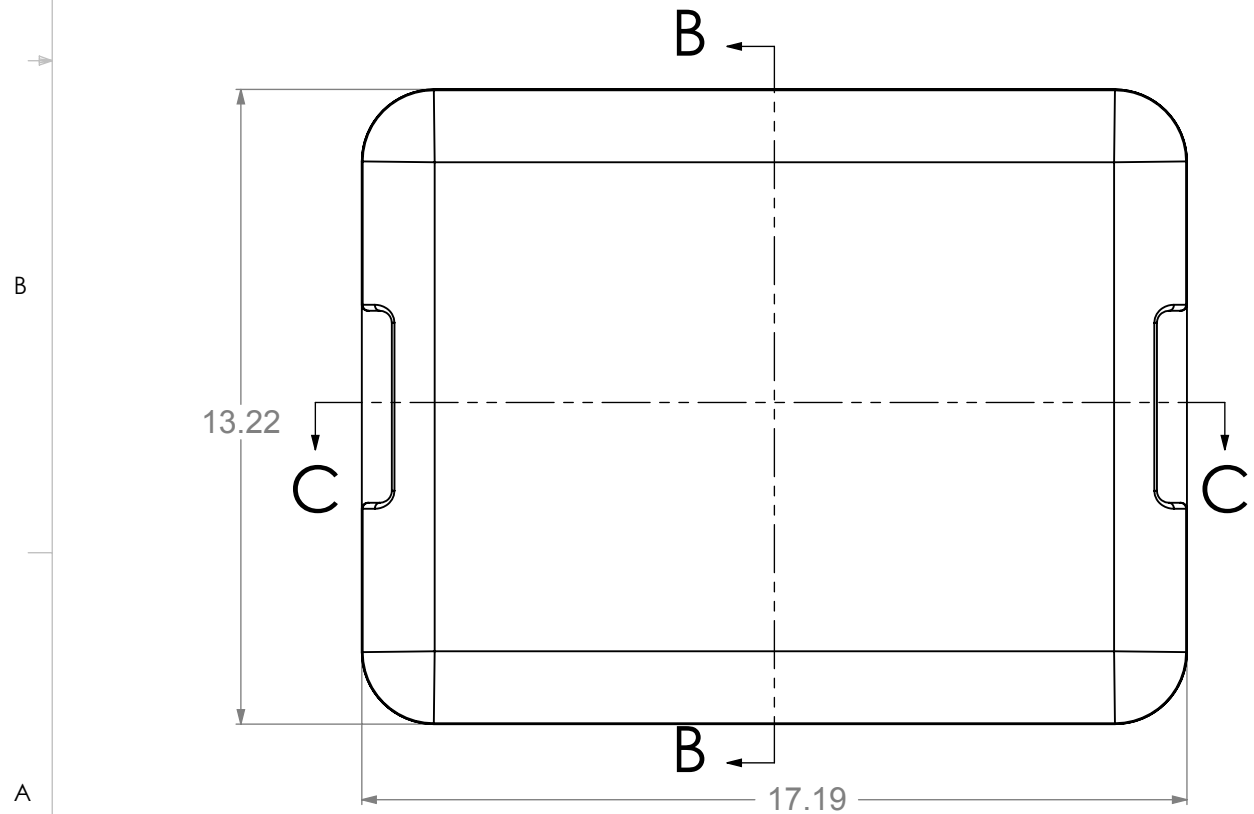
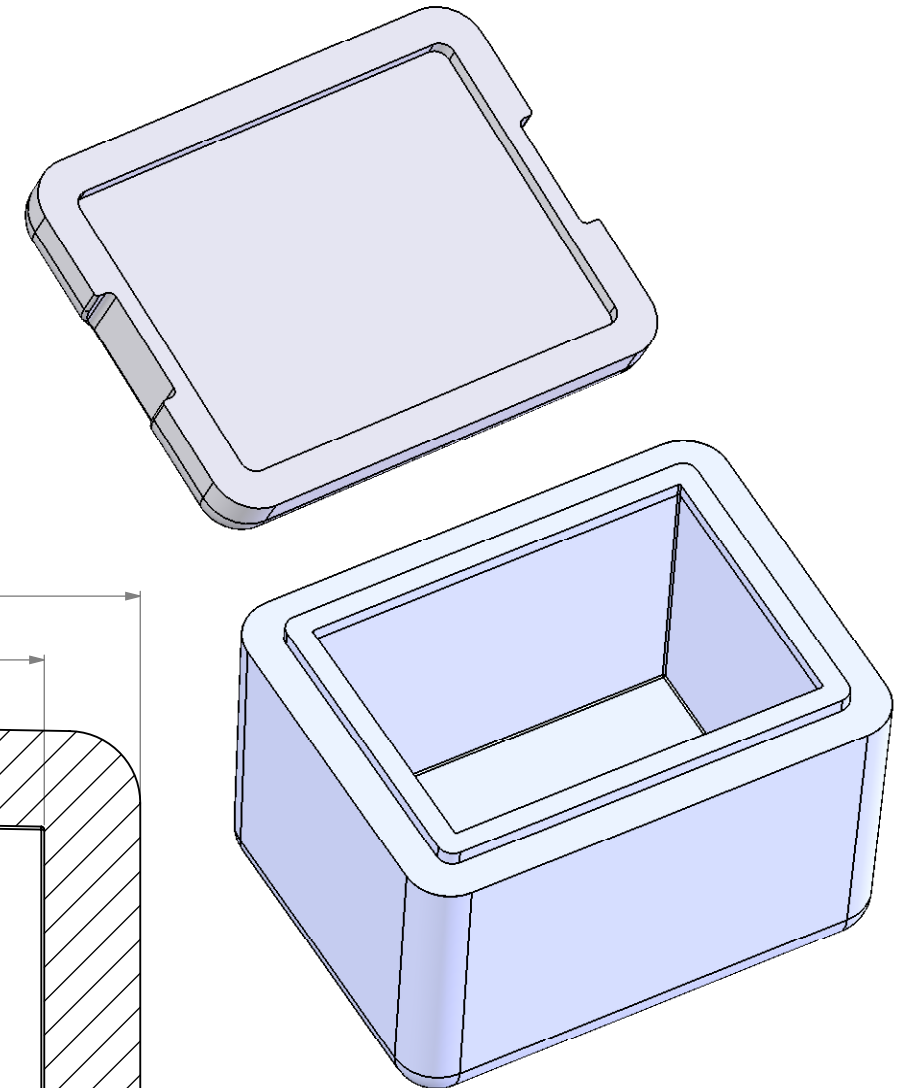


SECTION C-C



SECTION B-B

STANDARD EPS TOLERANCES
FOR DENSITY 1.12 TO 3.0 PCF

DIM. INCH(MM)	TOL. INC(MM)
0.0 - 6.0(152)	+/- .039 (1)
6.0(152) - 12.0 (305)	+/- .06 (1.5)
12.0(305) - 24.0(610)	+/- .098 (2.5)
24.0(610) - 48.0(1220)	+/- .12 (3)
48.0(1220) - GREATER	+/- .20 (5)

PROPRIETARY AND CONFIDENTIAL THE INFORMATION CONTAINED IN THIS DRAWING IS THE SOLE PROPERTY OF marko foam production ANY REPRODUCTION IN PART OR AS A WHOLE WITHOUT THE WRITTEN PERMISSION OF marko foam production IS PROHIBITED. MATERIAL: EPS 1.0 PCF FINISH: DO NOT SCALE DRAWING	DRAWN	NAME	DATE
	CHECKED		
	ENG APPR.	Ilir Bordoniqi	05/25/10
	MFG APPR.		
	Q.A.		
COMMENTS:	V_B - 1305 V_L - 447		

marko
foam products inc

IC - 1106

SIZE DWG. NO. **A CM5186C - K13.517 - 6/3** REV.

SCALE:1:4 WEIGHT: SHEET 1 OF 1