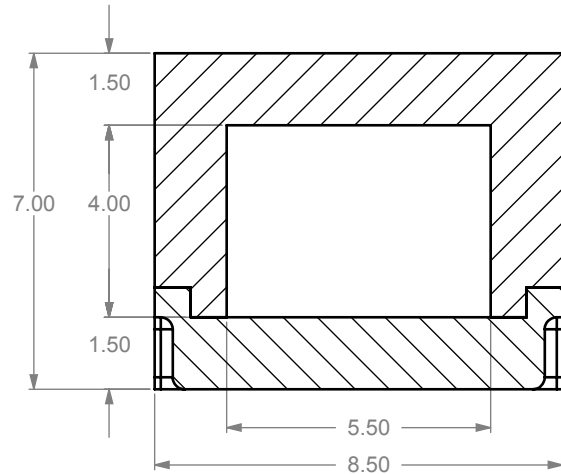
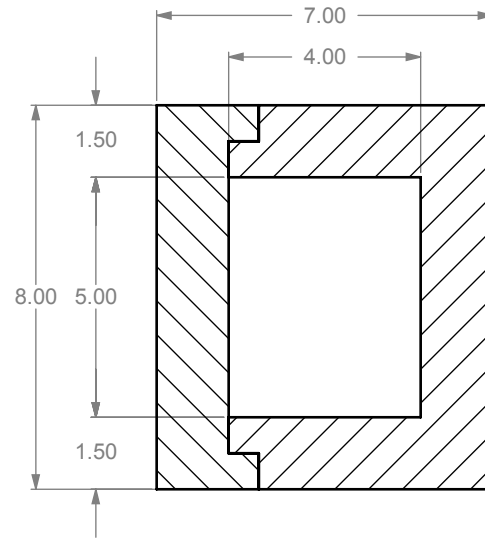
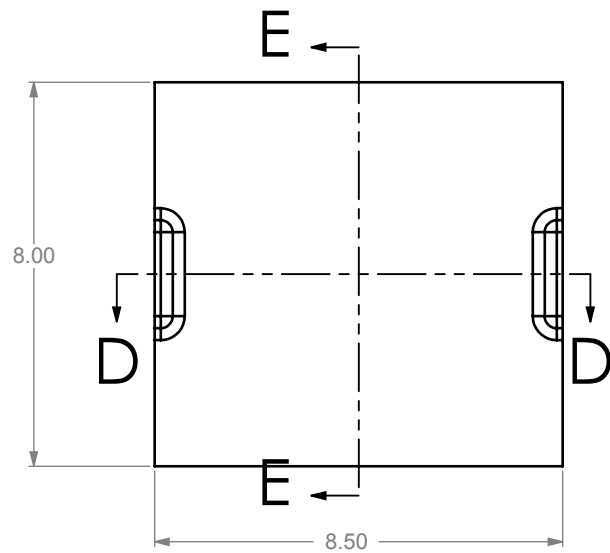
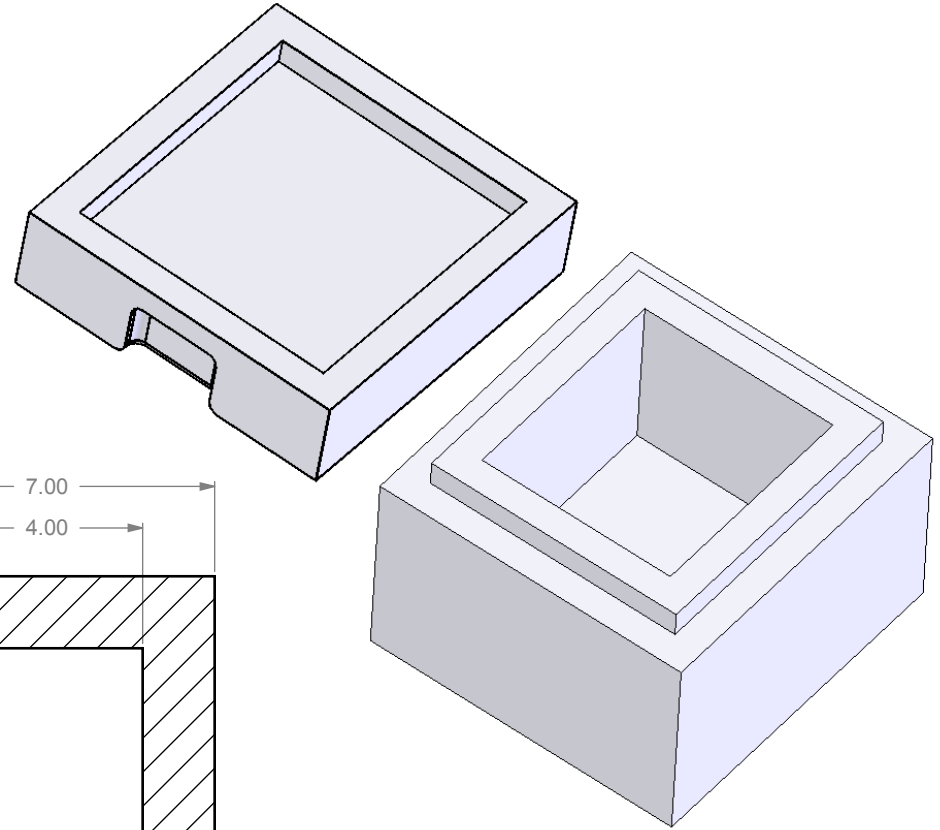


		REVISIONS			
ZONE	REV.	DESCRIPTION	DATE	APPROVED	



SECTION D-D



SECTION E-E

STANDARD EPS TOLERANCES
FOR DENSITY 1.12 TO 3.0 PCF

DIM. INCH(MM)	TOL. INC(MM)
0.0 - 6.0(152)	+/- .039 (1)
6.0(152) - 12.0 (305)	+/- .06 (1.5)
12.0(305) - 24.0(610)	+/- .098 (2.5)
24.0(610) - 48.0(1220)	+/- .12 (3)
48.0(1220) - GREATER	+/- .20 (5)

PROPRIETARY AND CONFIDENTIAL

THE INFORMATION CONTAINED
IN THIS DRAWING IS THE SOLE
PROPERTY OF marko foam
production ANY REPRODUCTION
IN PART OR AS A WHOLE WITHOUT
THE WRITTEN PERMISSION OF
marko foam production IS PROHIBITED.

MATERIAL
EPS 1.25 PCF

FINISH

DO NOT SCALE DRAWING

NAME DATE

DRAWN
CHECKED
ENG APPR. Ilir Bordoniqi 04/12/10
MFG APPR.
Q.A.

COMMENTS:

V_B - 245
V_L - 116

marko
foam products inc



IC-110

SIZE	DWG. NO.	REV.
A	CM 5191 - K710 - 6/3	
SCALE: 1:4	WEIGHT:	SHEET 1 OF 1