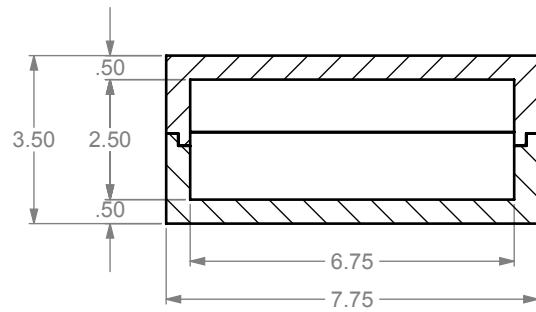
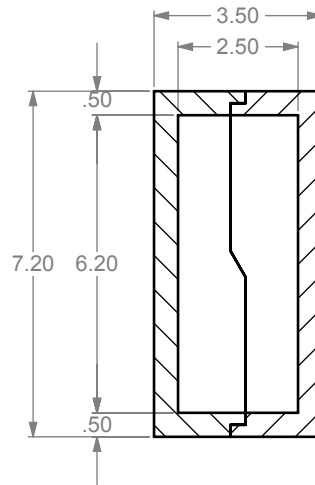
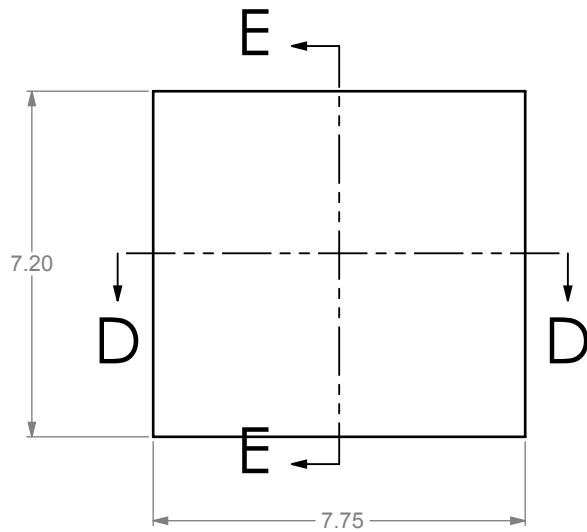
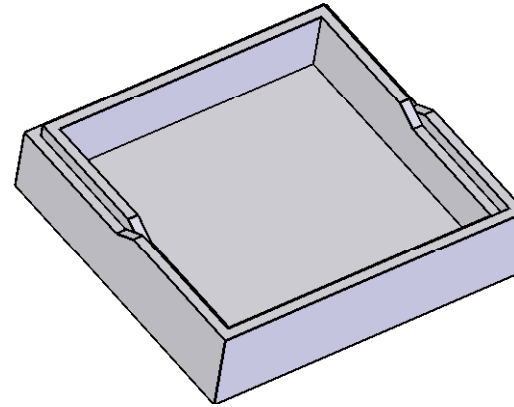


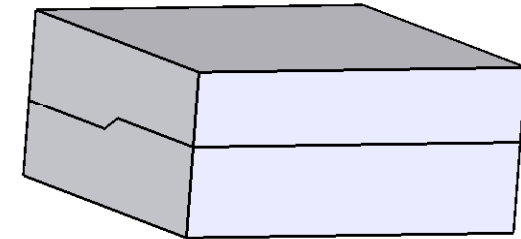
		REVISIONS			
ZONE	REV.	DESCRIPTION	DATE	APPROVED	



SECTION D-D





SECTION E-E



**STANDARD EPS TOLERANCES
FOR DENSITY 1.12 TO 3.0 PCF**

DIM. INCH(MM)	TOL. INC(MM)
0.0 - 6.0(152)	+/- .039 (1)
6.0(152) - 12.0 (305)	+/- .06 (1.5)
12.0(305) - 24.0(610)	+/- .098 (2.5)
24.0(610) - 48.0(1220)	+/- .12 (3)
48.0(1220) - GREATER	+/- .20 (5)

PROPRIETARY AND CONFIDENTIAL THE INFORMATION CONTAINED IN THIS DRAWING IS THE SOLE PROPERTY OF marko foam production ANY REPRODUCTION IN PART OR AS A WHOLE WITHOUT THE WRITTEN PERMISSION OF marko foam production IS PROHIBITED. MATERIAL EPS 1.25 PCF FINISH DO NOT SCALE DRAWING	NAME	DATE	 marko foam products inc	
	DRAWN			
	CHECKED			
	ENG APPR. Ilir Bordoniqi	03/04/11		
	MFG APPR.			
Q.A.			IC-103	
COMMENTS:				
V - 2 x 46				
SIZE DWG. NO.		REV.		
A		CM 2297 - K57 - 4/2		
SCALE:1:4		WEIGHT:		SHEET 1 OF 1