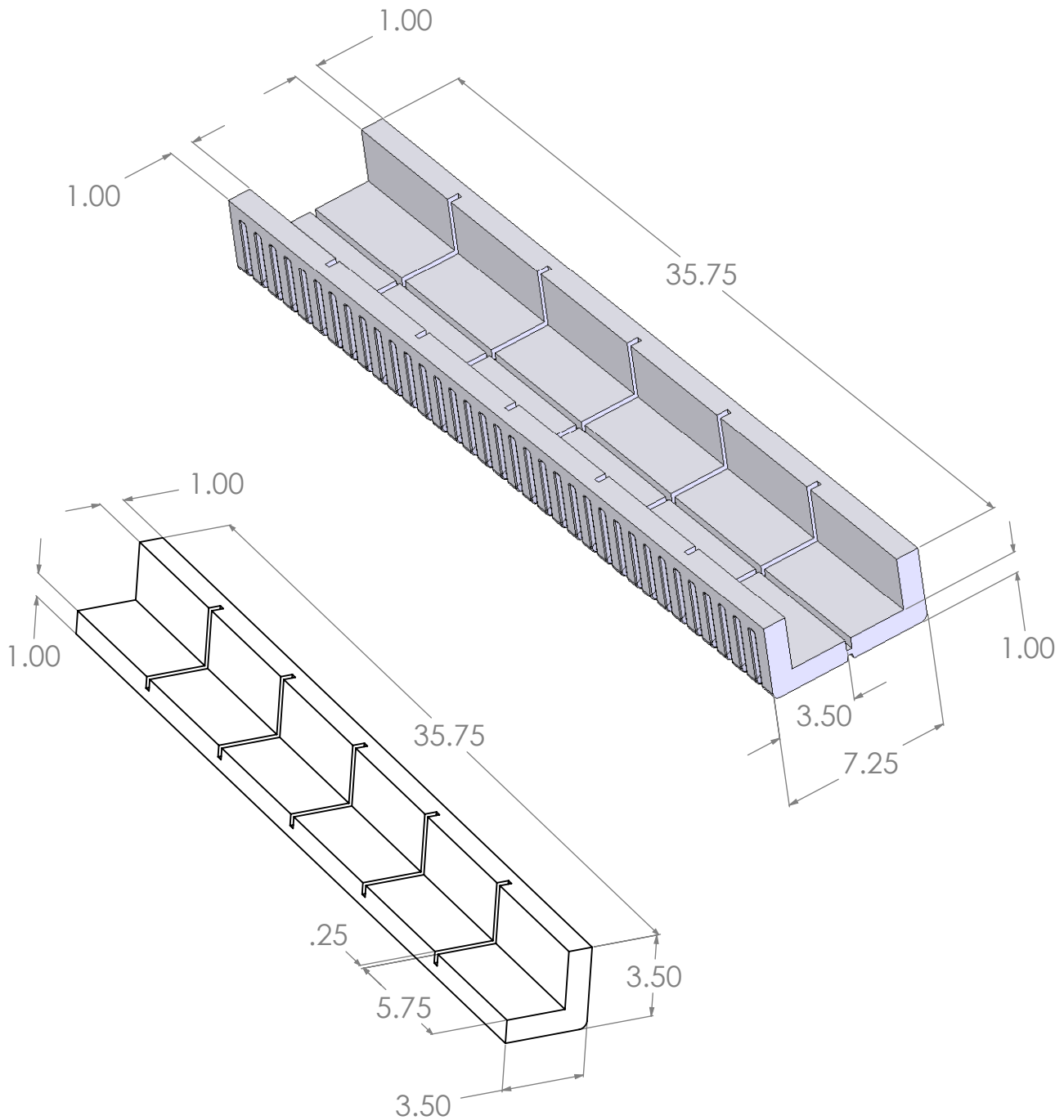


REVISIONS				
ZONE	REV.	DESCRIPTION	DATE	APPROVED



STANDARD EPS TOLERANCES
FOR DENSITY 1.12 TO 3.0 PCF

DIM. INCH(MM)	TOL. INC(MM)
0.0 - 6.0(152)	+/- .039 (1)
6.0(152) - 12.0 (305)	+/- .06 (1.5)
12.0(305) - 24.0(610)	+/- .098 (2.5)
24.0(610) - 48.0(1220)	+/- .12 (3)
48.0(1220) - GREATER	+/- .20 (5)

PROPRIETARY AND CONFIDENTIAL

THE INFORMATION CONTAINED
IN THIS DRAWING IS THE SOLE
PROPERTY OF marko foam
production ANY REPRODUCTION
IN PART OR AS A WHOLE WITHOUT
THE WRITTEN PERMISSION OF
marko foam production IS PROHIBITED.

MATERIAL

**EPS, EPE,
CO-POLYMER**

DO NOT SCALE DRAWING

	NAME	DATE
DRAWN		
CHECKED		
ENG APPR.	Ilir Bordoniqi	09/10/10
MFG APPR.		
Q.A.		

COMMENTS:
V1-395

marko
foam products inc



EP-331

SIZE	DWG. NO.	REV.
SCALE:1:6	WEIGHT:	SHEET 1 OF 1

ACM1421(A;B;C) - K1014 - 5/10