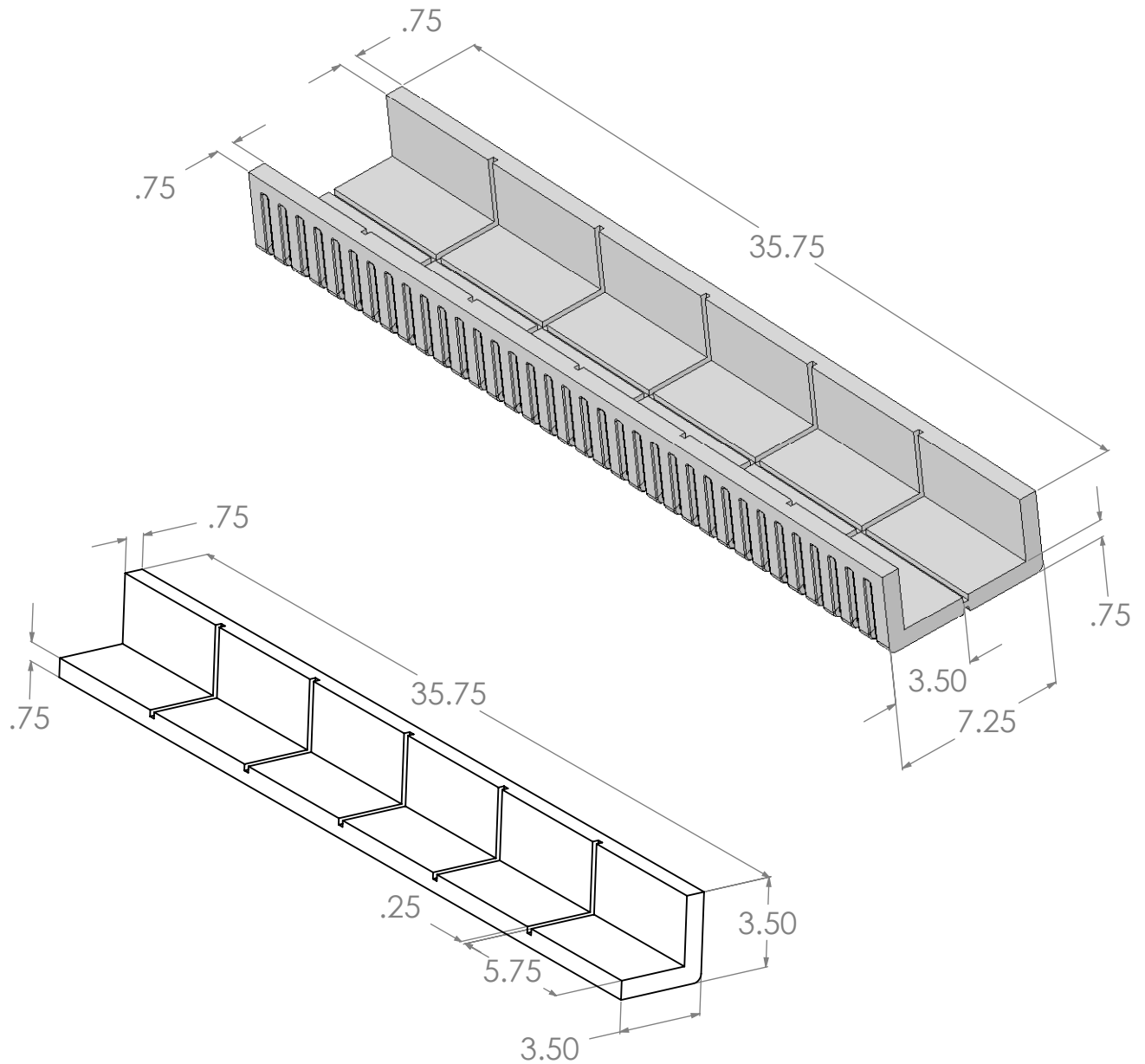


| REVISIONS |      |             |      |          |
|-----------|------|-------------|------|----------|
| ZONE      | REV. | DESCRIPTION | DATE | APPROVED |
|           |      |             |      |          |



STANDARD EPS TOLERANCES  
FOR DENSITY 1.12 TO 3.0 PCF

| DIM. INCH(MM)          | TOL. INC(MM)   |
|------------------------|----------------|
| 0.0 - 6.0(152)         | +/- .039 (1)   |
| 6.0(152) - 12.0 (305)  | +/- .06 (1.5)  |
| 12.0(305) - 24.0(610)  | +/- .098 (2.5) |
| 24.0(610) - 48.0(1220) | +/- .12 (3)    |
| 48.0(1220) - GREATER   | +/- .20 (5)    |

**PROPRIETARY AND CONFIDENTIAL**

THE INFORMATION CONTAINED  
IN THIS DRAWING IS THE SOLE  
PROPERTY OF marko foam  
production ANY REPRODUCTION  
IN PART OR AS A WHOLE WITHOUT  
THE WRITTEN PERMISSION OF  
marko foam production IS PROHIBITED.

**MATERIAL**

**EPS, EPE,  
CO-POLYMER**

DO NOT SCALE DRAWING

|           | NAME           | DATE     |
|-----------|----------------|----------|
| DRAWN     |                |          |
| CHECKED   |                |          |
| ENG APPR. | Ilir Bordoniqi | 09/10/10 |
| MFG APPR. |                |          |
| Q.A.      |                |          |

COMMENTS:  
**V<sub>0</sub>-305**

**marko**  
foam products inc



**EP-330**

| SIZE      | DWG. NO. | REV.         |
|-----------|----------|--------------|
| SCALE:1:6 | WEIGHT:  | SHEET 1 OF 1 |

**ACM1421(A;B;C) - K1014 - 5/10**