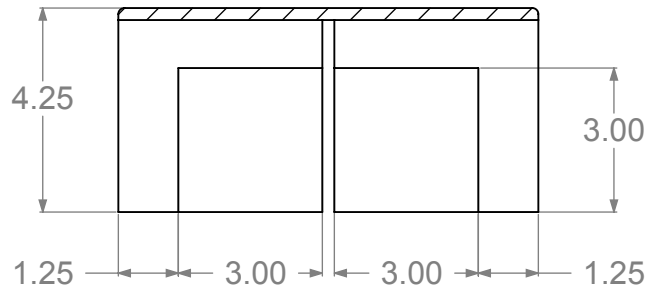
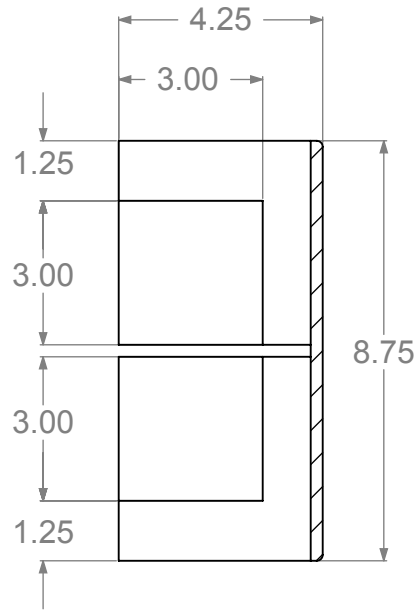
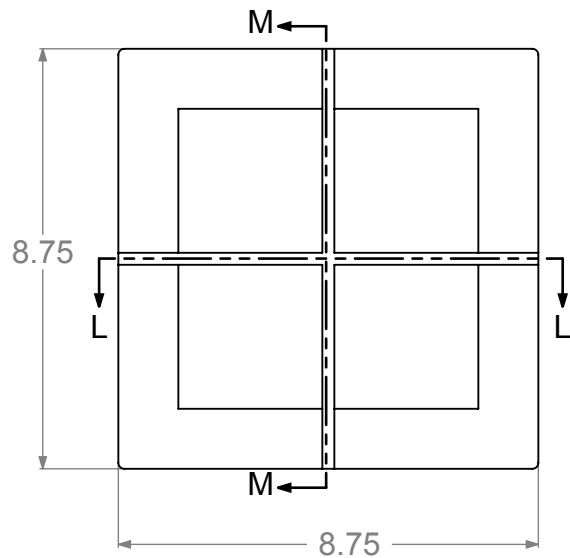


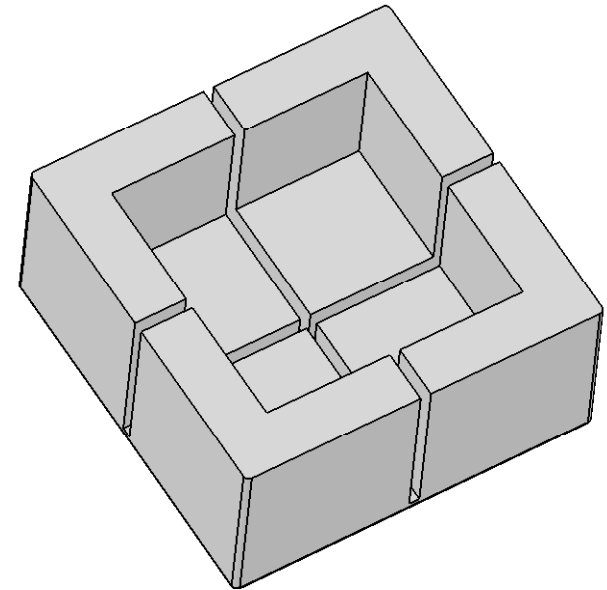
		REVISIONS			
ZONE	REV.	DESCRIPTION	DATE	APPROVED	



SECTION L-L





SECTION M-M



STANDARD EPS TOLERANCES
FOR DENSITY 1.12 TO 3.0 PCF

DIM. INCH(MM)	TOL. INC(MM)
0.0 - 6.0(152)	+/- .039 (1)
6.0(152) - 12.0 (305)	+/- .06 (1.5)
12.0(305) - 24.0(610)	+/- .098 (2.5)
24.0(610) - 48.0(1220)	+/- .12 (3)
48.0(1220) - GREATER	+/- .20 (5)

PROPRIETARY AND CONFIDENTIAL THE INFORMATION CONTAINED IN THIS DRAWING IS THE SOLE PROPERTY OF marko foam production ANY REPRODUCTION IN PART OR AS A WHOLE WITHOUT THE WRITTEN PERMISSION OF marko foam production IS PROHIBITED.	NAME	DATE	 marko foam products inc	
	DRAWN			
	CHECKED			
	ENG APPR. Ilir Bordoniqi	09/07/10		
	MFG APPR.			
Q.A.			CB-220	
COMMENTS:		V-200		
MATERIAL	SCALE: 1:4		SIZE DWG. NO.	REV.
EPS, EPE, CO-POLYMER	WEIGHT:		A CM2104A - K1014 - 12/48	
DO NOT SCALE DRAWING	SHEET 1 OF 1			