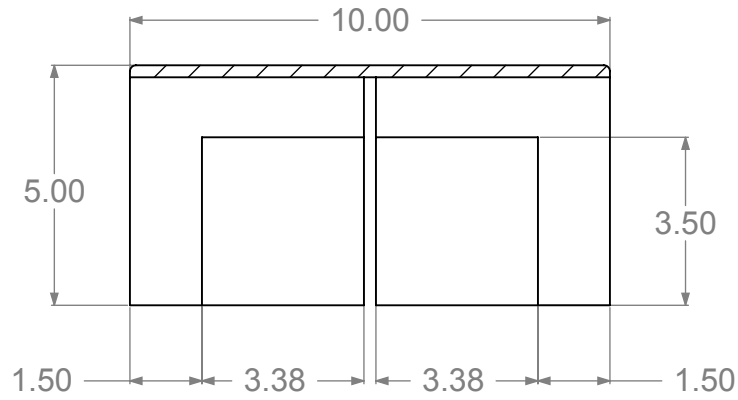
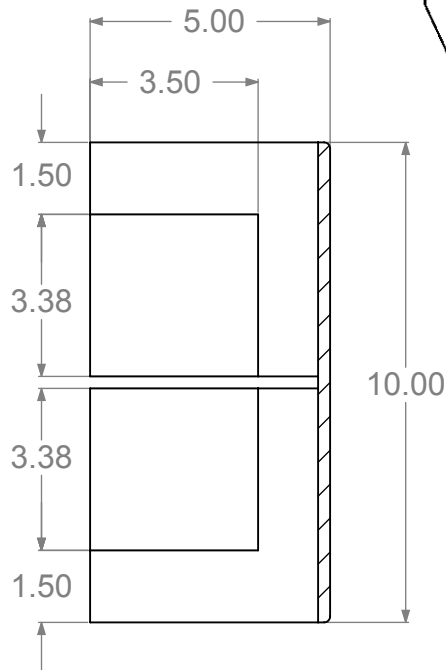
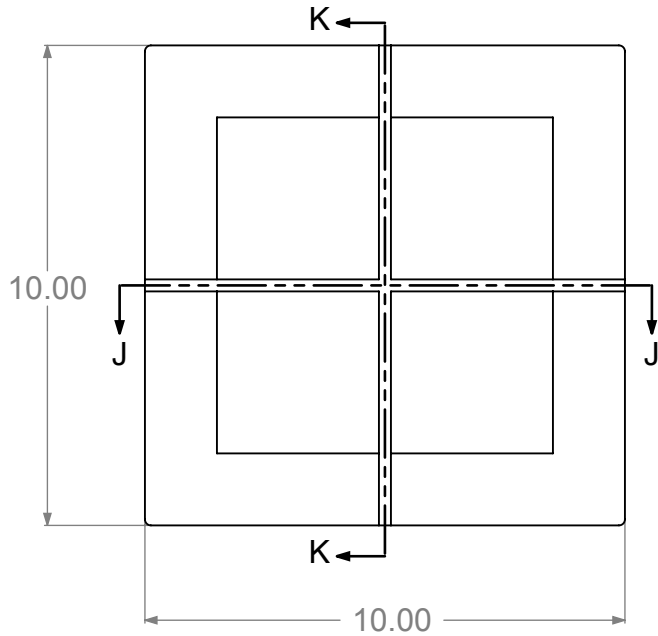


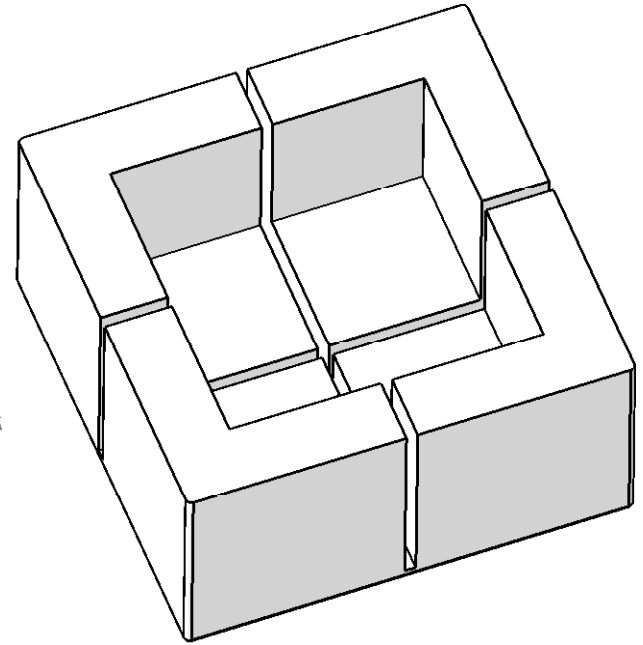
		REVISIONS			
ZONE	REV.	DESCRIPTION	DATE	APPROVED	



SECTION J-J



SECTION K-K



STANDARD EPS TOLERANCES  
FOR DENSITY 1.12 TO 3.0 PCF

DIM.	INCH(MM)	TOL.	INC(MM)
0.0	- 6.0(152)	+/-	.039 (1)
	6.0(152) - 12.0 (305)	+/-	.06 (1.5)
	12.0(305) - 24.0(610)	+/-	.098 (2.5)
	24.0(610) - 48.0(1220)	+/-	.12 (3)
	48.0(1220) - GREATER	+/-	.20 (5)

PROPRIETARY AND CONFIDENTIAL

THE INFORMATION CONTAINED  
IN THIS DRAWING IS THE SOLE  
PROPERTY OF marko foam  
production ANY REPRODUCTION  
IN PART OR AS A WHOLE WITHOUT  
THE WRITTEN PERMISSION OF  
marko foam production IS PROHIBITED.

MATERIAL

EPS 1.25 PCF

FINISH

DO NOT SCALE DRAWING

NAME DATE

DRAWN		
CHECKED		
ENG APPR.	Ilir Bordoniqi	09/07/10
MFG APPR.		
Q.A.		

COMMENTS:

V-317

**marko**  
foam products inc



CB-104

SIZE DWG. NO. REV.

**A**

SCALE:1:4 WEIGHT: SHEET 1 OF 1