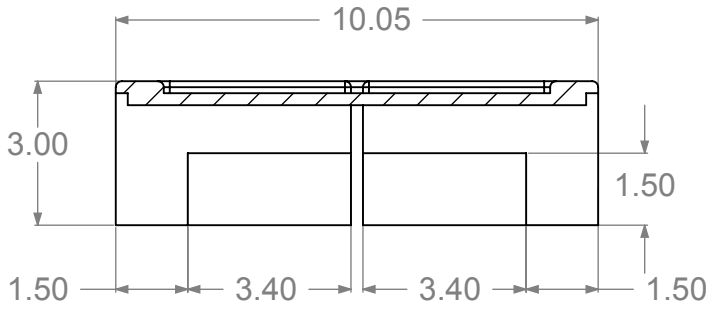
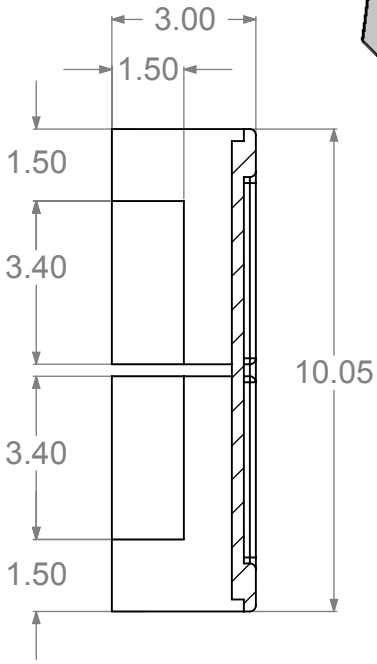
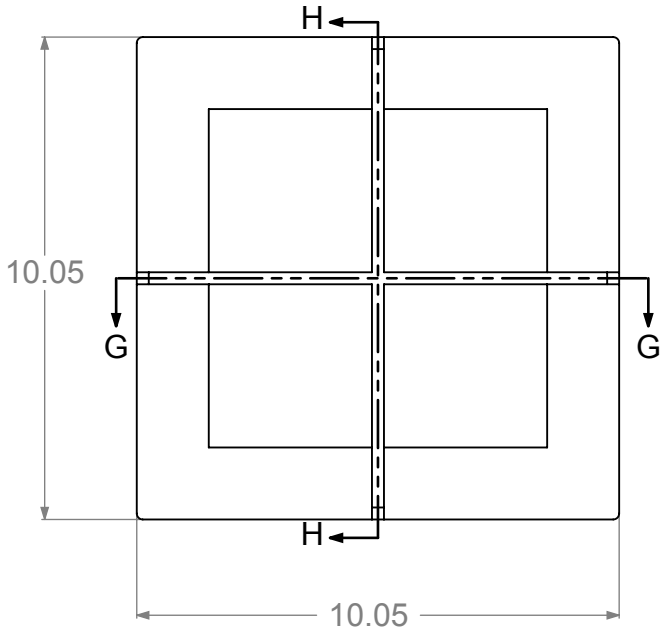
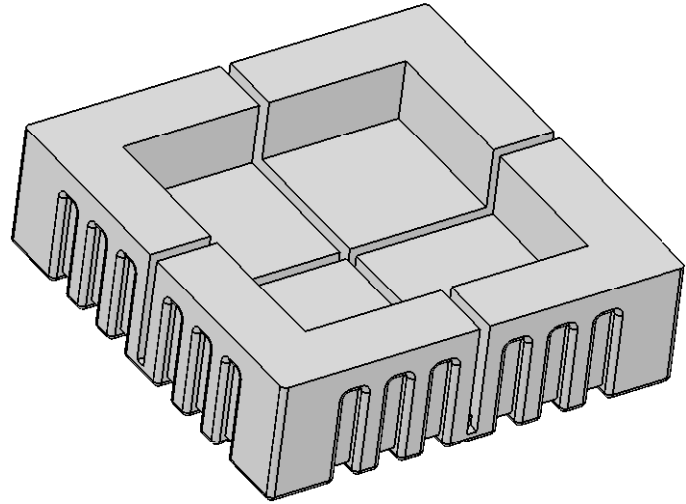


		REVISIONS			
ZONE	REV.	DESCRIPTION	DATE	APPROVED	





SECTION G-G



SECTION H-H

**STANDARD EPS TOLERANCES
FOR DENSITY 1.12 TO 3.0 PCF**

DIM.	INCH(MM)	TOL.	INC(MM)
0.0	- 6.0(152)	+/-	.039 (1)
6.0(152)	- 12.0 (305)	+/-	.06 (1.5)
12.0(305)	- 24.0(610)	+/-	.098 (2.5)
24.0(610)	- 48.0(1220)	+/-	.12 (3)
48.0(1220)	- GREATER	+/-	.20 (5)

PROPRIETARY AND CONFIDENTIAL THE INFORMATION CONTAINED IN THIS DRAWING IS THE SOLE PROPERTY OF marko foam production ANY REPRODUCTION IN PART OR AS A WHOLE WITHOUT THE WRITTEN PERMISSION OF marko foam production IS PROHIBITED.	NAME	DATE		
	DRAWN			
	CHECKED			
	ENG APPR.	Ilir Bordoniqi 09/07/10		
	MFG APPR.			
MATERIAL	COMMENTS:		CB-103	SIZE DWG. NO. REV. A CM1397 - K1014 - 12/48
EPS, EPE, CO-POLYMER	V-204			
DO NOT SCALE DRAWING				
SCALE:1:4		WEIGHT:	SHEET 1 OF 1	