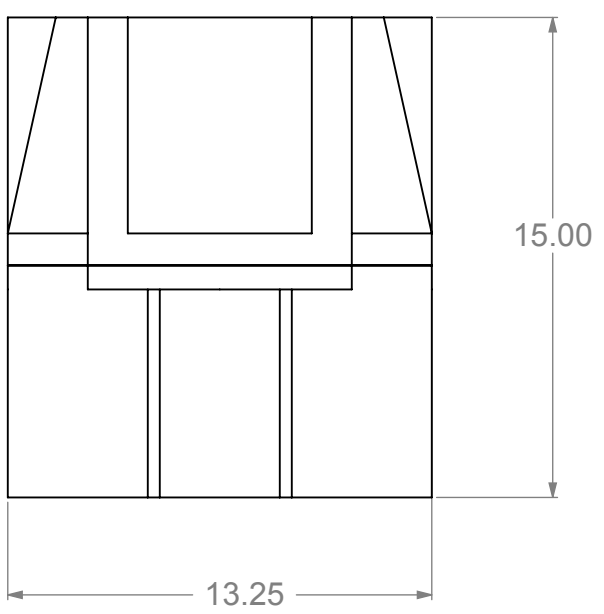
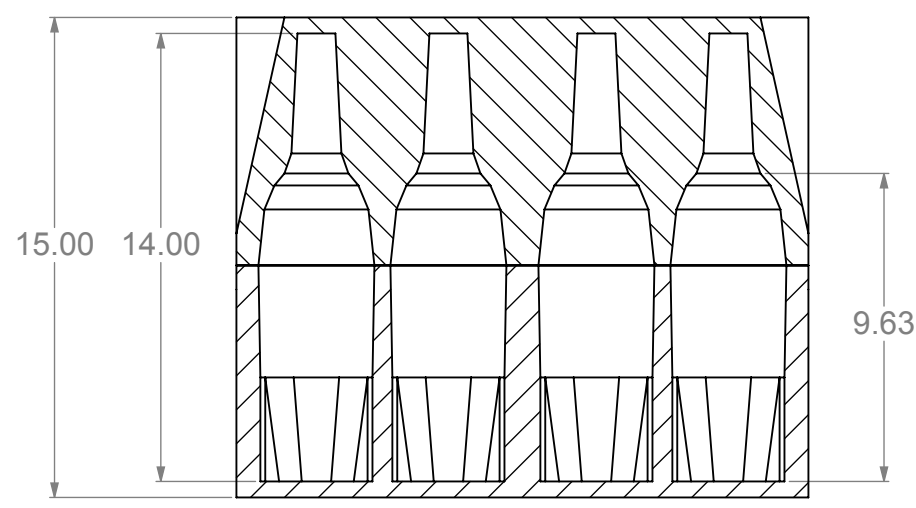
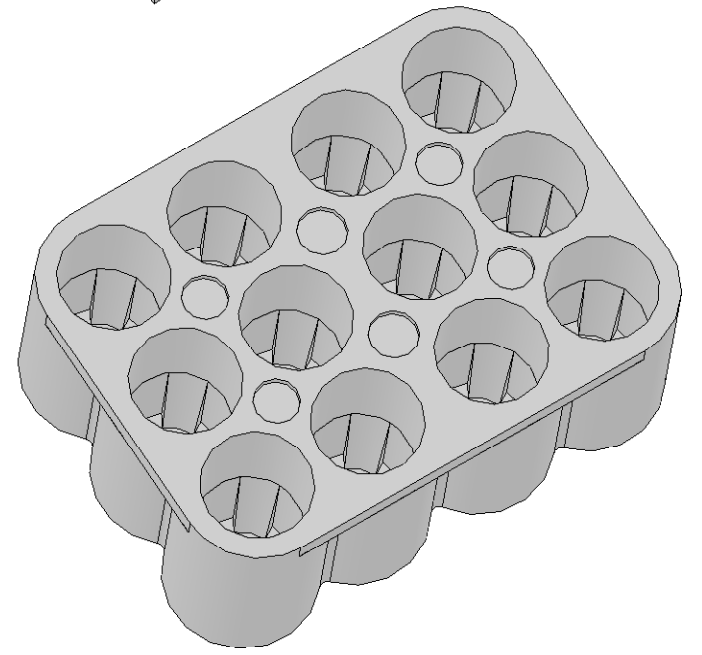
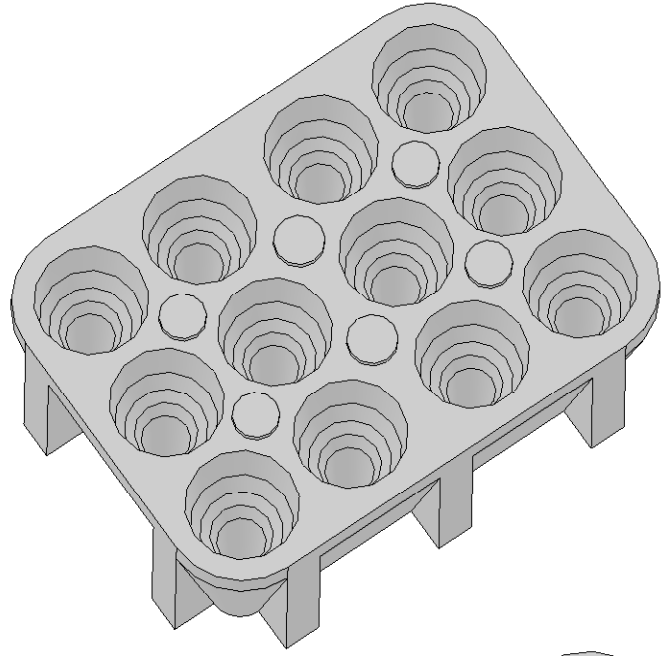
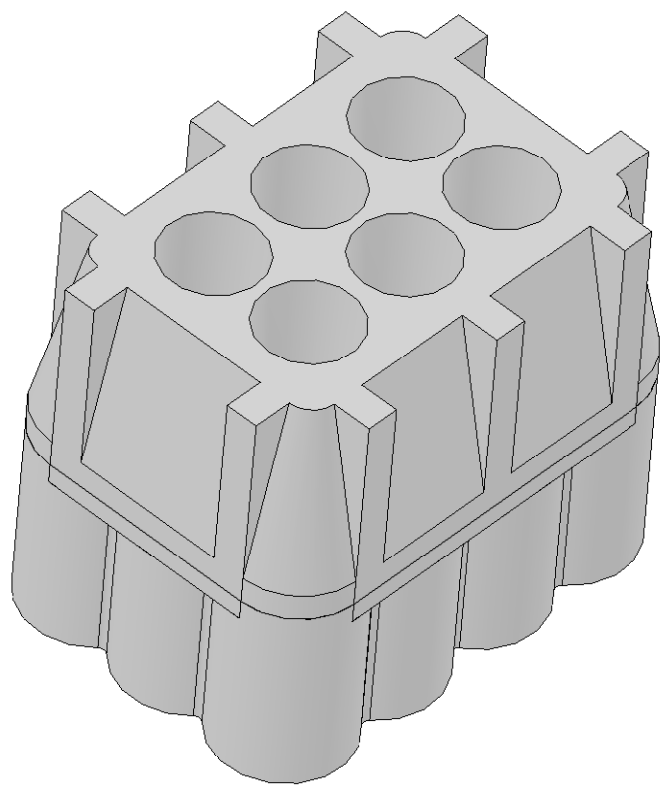
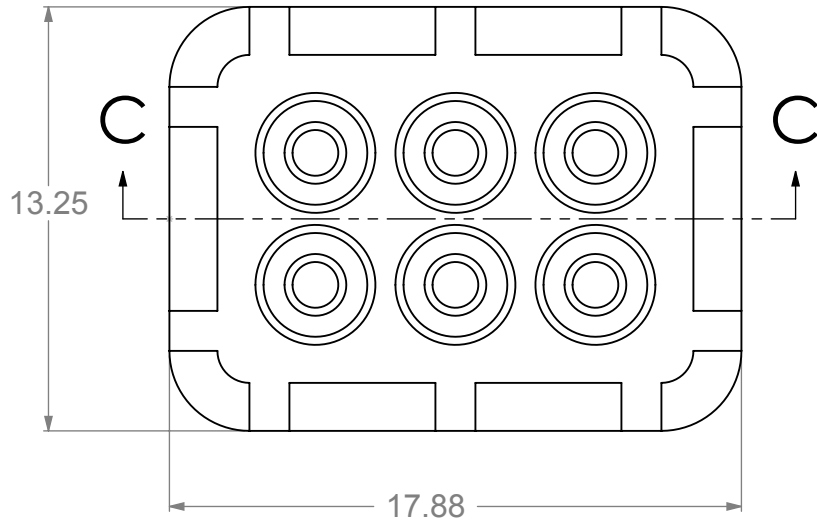


8 7 6 5 4 3 2 1

D  
C  
B  
A


D  
C  
B  
A



SECTION C-C

STANDARD EPS TOLERANCES  
FOR DENSITY 1.12 TO 3.0 PCF

DIM. INCH(MM)	TOL. INC(MM)
0.0 - 6.0(152)	+/- .039 (1)
6.0(152) - 12.0 (305)	+/- .06 (1.5)
12.0(305) - 24.0(610)	+/- .098 (2.5)
24.0(610) - 48.0(1220)	+/- .12 (3)
48.0(1220) - GREATER	+/- .20 (5)

<b>PROPRIETARY AND CONFIDENTIAL</b> THE INFORMATION CONTAINED IN THIS DRAWING IS THE SOLE PROPERTY OF <b>marko foam</b> production. ANY REPRODUCTION IN PART OR AS A WHOLE WITHOUT THE WRITTEN PERMISSION OF <b>marko foam</b> production IS PROHIBITED. MATERIAL: <b>EPS 1.25 PCF</b> FINISH: <b>DO NOT SCALE DRAWING</b>	DRAWN	NAME	DATE	
	CHECKED			
	ENG APPR.	Ilir Bordoniqi	11/24/10	<b>12PACK 750ML</b> SIZE DWG. NO. <b>A</b> CM3252 - K1014 - 4/2 SCALE:1:6 WEIGHT: SHEET 1 OF 1
	MFG APPR.			
	Q.A.			
COMMENTS:	V <sub>T</sub> - 903 V <sub>B</sub> - 763			REV.

8 7 6 5 4 3 2 1