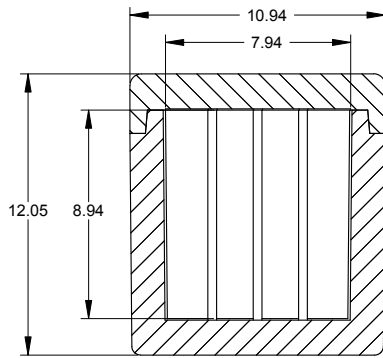
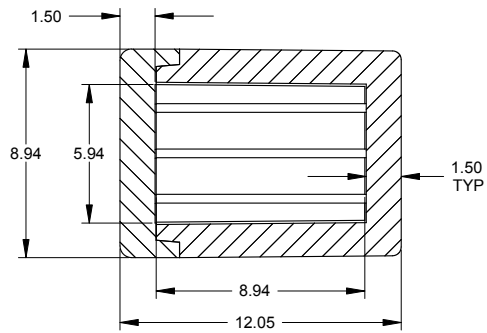
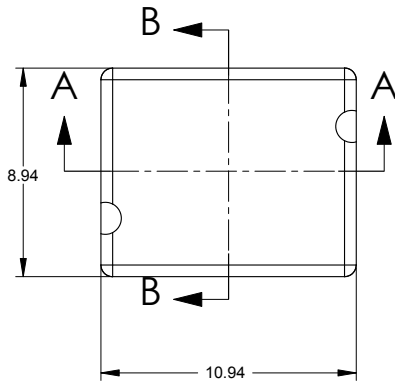
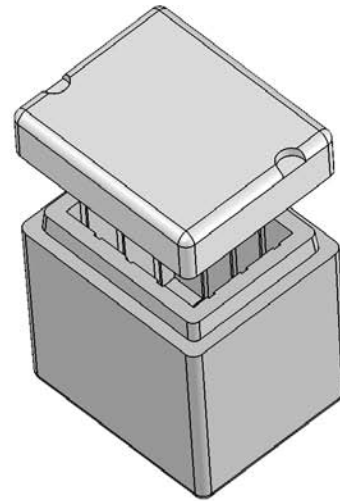


Volume Capacity  
421.64 cu. in.  
EPS 1.25 PCF



SECTION A-A



SECTION B-B