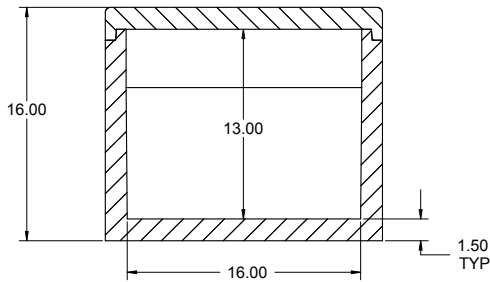
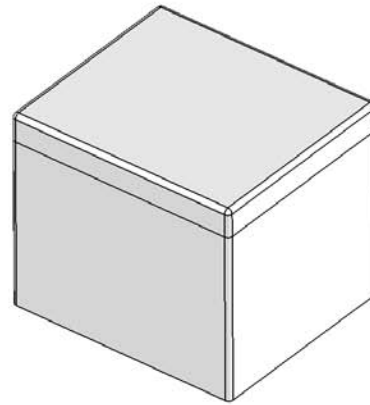
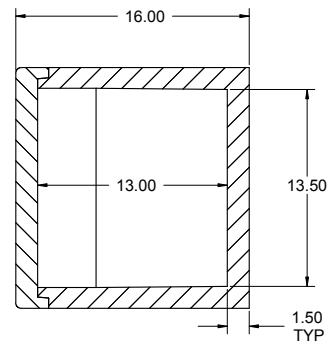
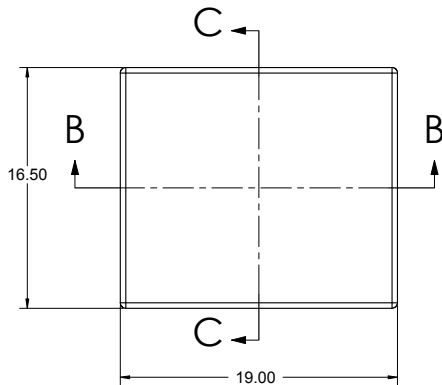


Volume Capacity  
2808.00 cu. in  
EPS 1.25 PCF



SECTION B-B



SECTION C-C