

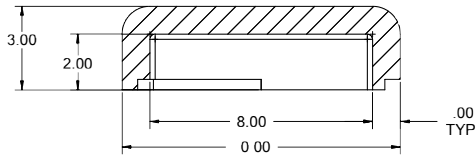
# MB-35

Volume Capacity  
360 cu. in.  
EPS 1.25 PCF

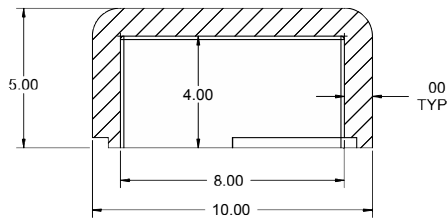
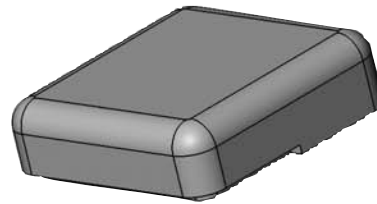
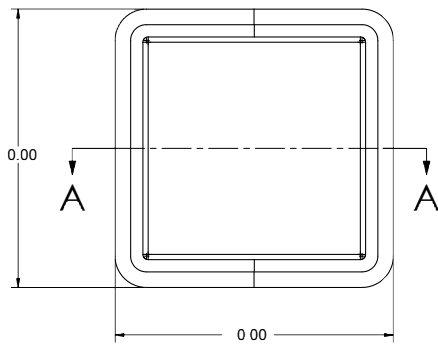
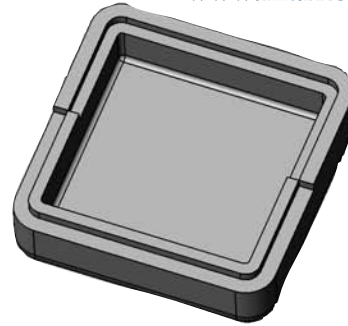


foam products, inc.

[www.markofoam.com](http://www.markofoam.com)



SECTION A-A



SECTION A-A

