

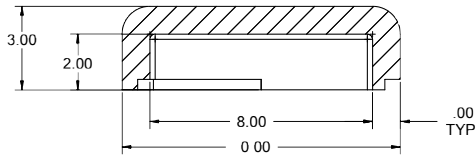
MB-33

Volume Capacity
232 cu. in
EPS 1.25 PCF

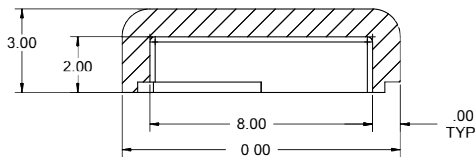
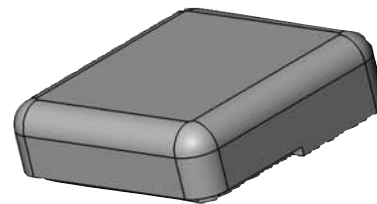
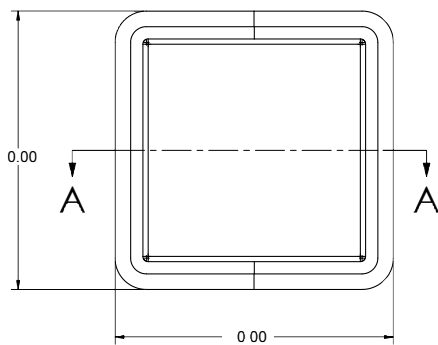


foam products, inc.

www.markofoam.com



SECTION A A



SECTION A A

