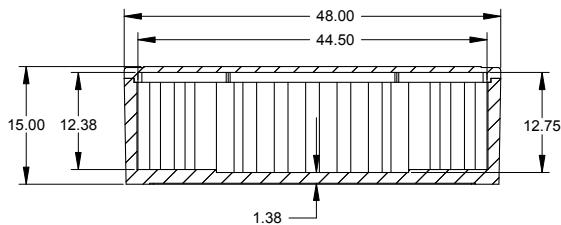


# IC-200

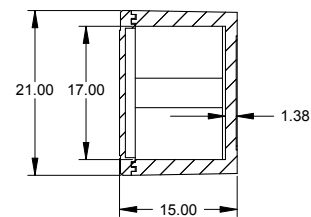
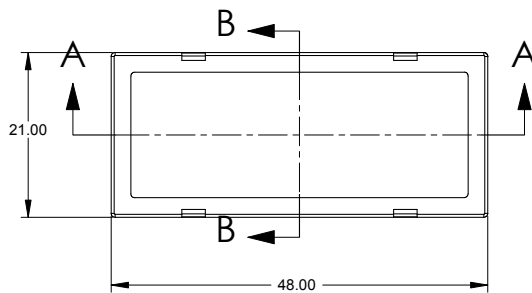
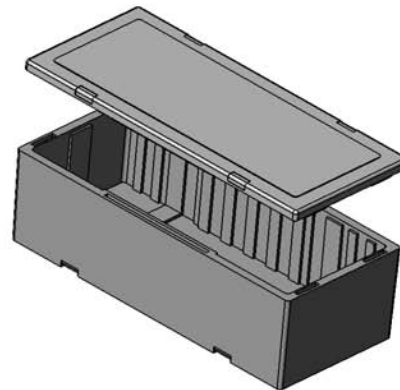
**marko**

*foam products, inc.*  
www.markofoam.com

Volume Capacity 8983.44 cu. in.  
EPS 1.25 PCF



SECTION A-A



SECTION B-B